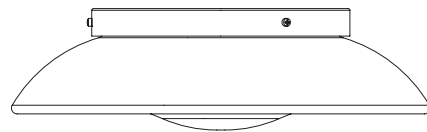




**Attention:** Read and understand these instructions before installing fixture. This fixture is intended for installation in accordance with National Electric Code and local regulation: To assure full compliance with local codes and regulations, check with your local electrical inspector before installation. This equipment is guaranteed only when used as indicated in these instructions; Therefore they should be kept for future reference. To prevent electrical shock, turn off power supply before carrying out any connection or maintenance operations.

### MAKE SURE YOU HAVE ALL THE ELEMENTS OF THE FIXTURE

Your box should contain the following parts:



Complete lighting fixture assembled



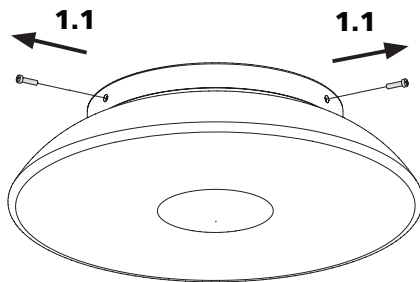
Mounting plate



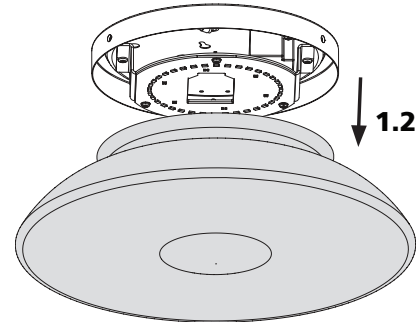
Screws to be used in PART 2.2

### 1

1. Remove the three screws holding the diffuser.

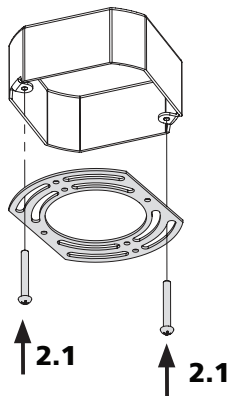


2. Remove the glass diffuser.

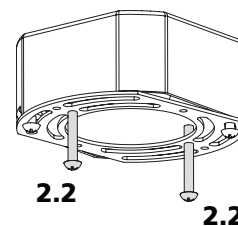


### 2

1. Fix the mounting plate to the J-Box (screws not supplied).



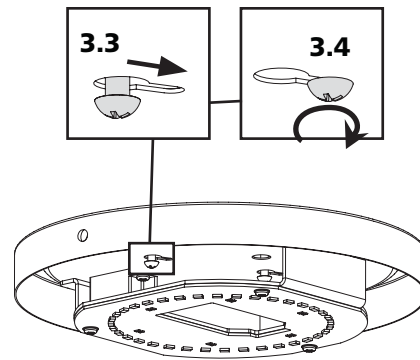
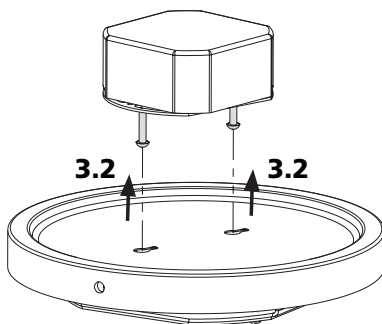
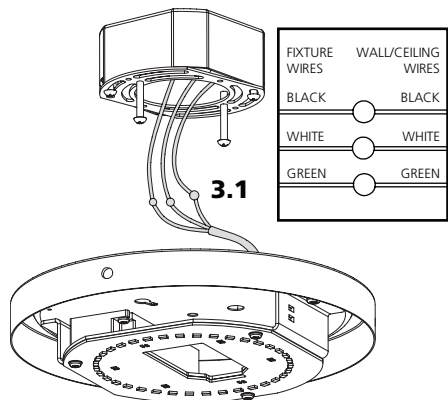
2. Engage the two screws (supplied) into the mounting plate.



3

1. Make the appropriate electrical connection\*.
2. Fix the fixture to the mounting plate by inserting the two screws from PART 2.2 through the mounting holes.
3. Slide the fixture so that it can be maintained on the wall/ceiling.
4. Screw the two screws to hold the fixture properly.

\* Not compatible with dimming



4

1. Reinstall the glass diffuser.
2. Reinstall the three screws.

