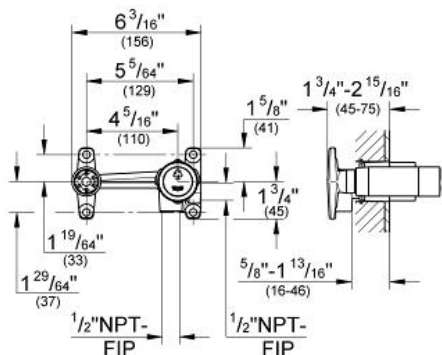


# 2-Hole Wall Mount Faucet Rough-In Valve

MODEL # 32641000

GROHE CANADA, INC. | 5900 Avebury Road, Mississauga, Ontario, Canada L5R 3M3  
 Phone: 905-271-2929 | Fax: 905-271-9494 | info@grohe.ca

Pure Freude  
an Wasser



## Product Description:

### 2-Hole Wall Mount Faucet Rough-In Valve

#### Standard Specification:

- Wall installation
- Without finishing trim set
- $\frac{1}{2}''$  NPT Female Threads
- **GROHE SilkMove** 1.4" (35 mm) ceramic cartridge
- Adjustable flow rate limiter
- Max Flow Rate 2.2 gpm at 60 psi (8.3 L/min); 2.5 gpm at 80 psi (9.5 L/min) for hand shower

#### Applicable Codes & Standards:

- Energy Policy Act of 1992
- NSF 61
- ASME A112.18.1/CSA B125.1
- US Federal and State material regulations

#### Color:

- 32641000 StarLight Chrome

