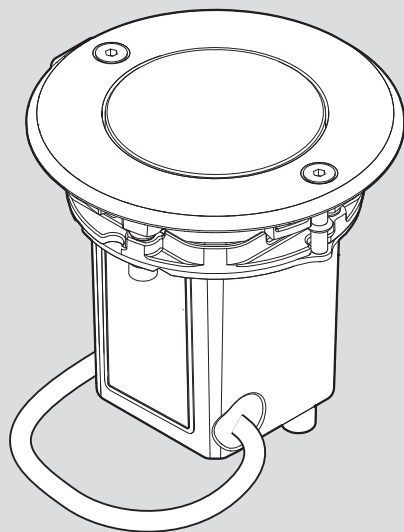
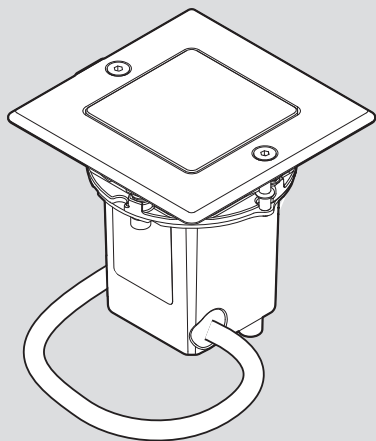


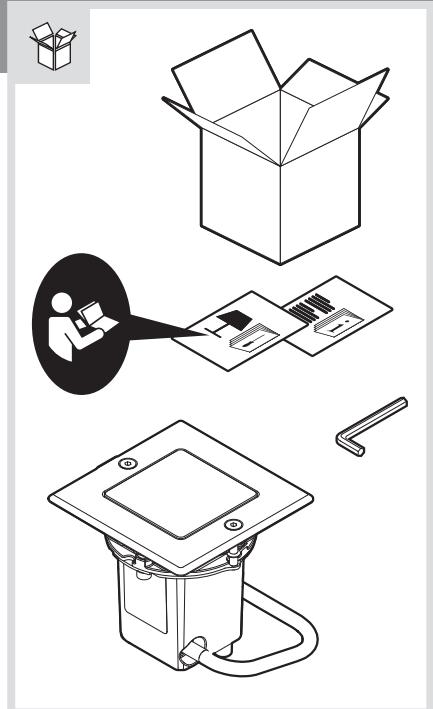
Artemide®

Ego 55 / 90 Walk-over Drive-over UL

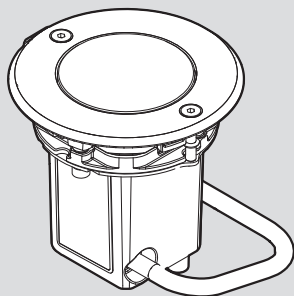




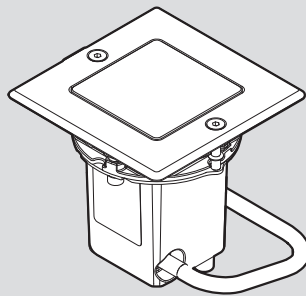
i



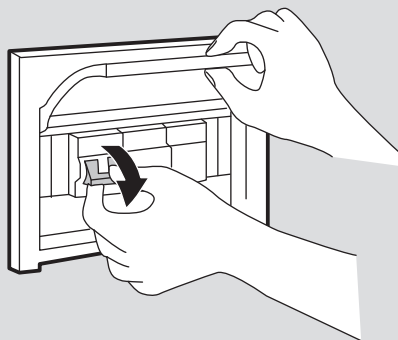
i



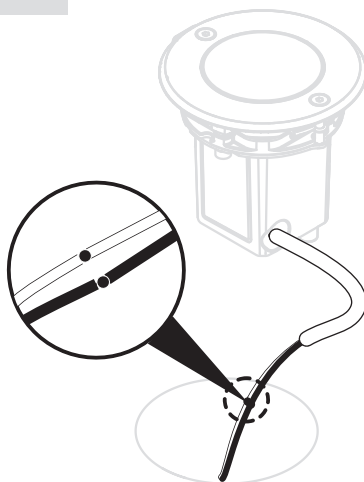
Ø 55 mm
Ø 90 mm





55 x 55 mm
90 x 90 mm



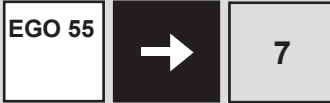
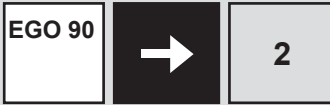
1



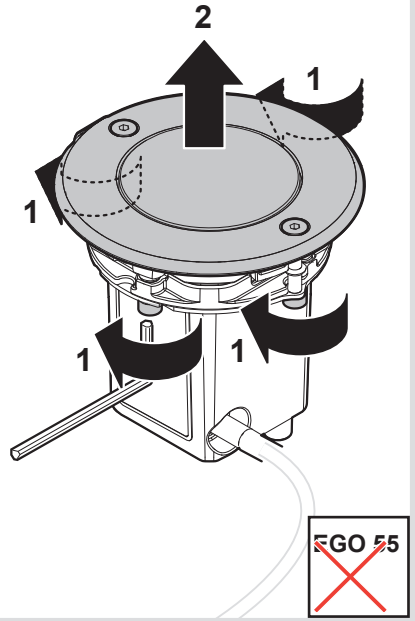
Ensure water-proof connection
Assurer une connexion étanche à l'eau
Asegurar la cennexión a prueba de agua

white/blanc/blanco  +
black/noir/negro  -

i



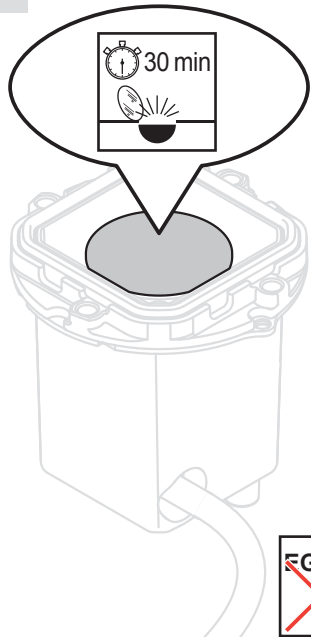
2



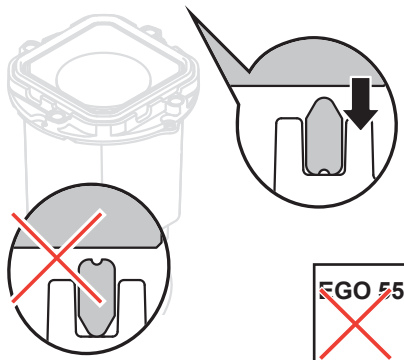
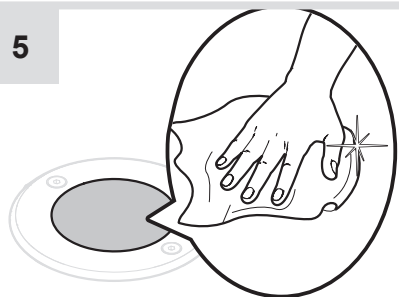
3



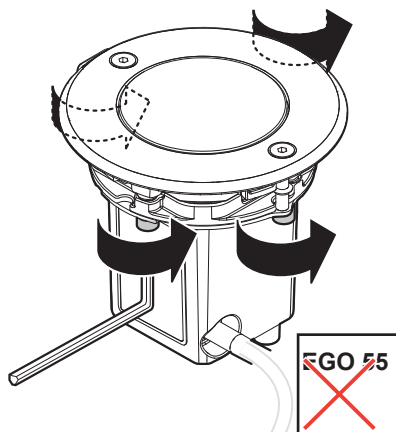
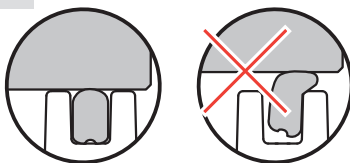
4



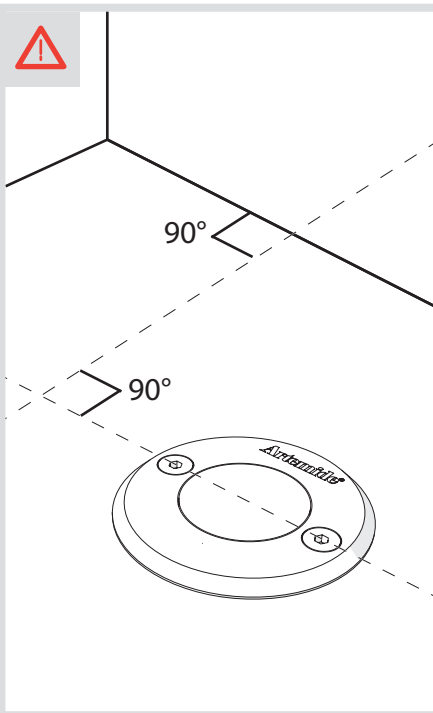
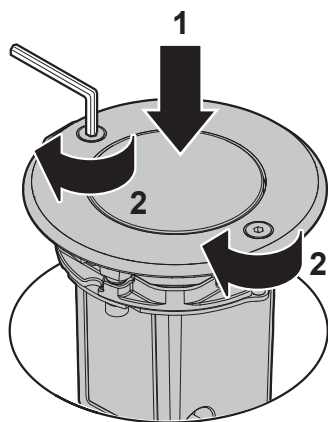
5

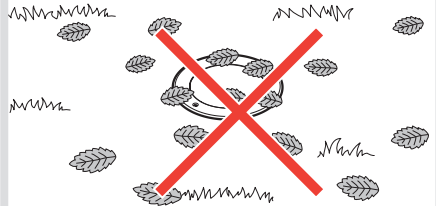
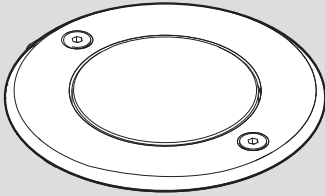


6



7

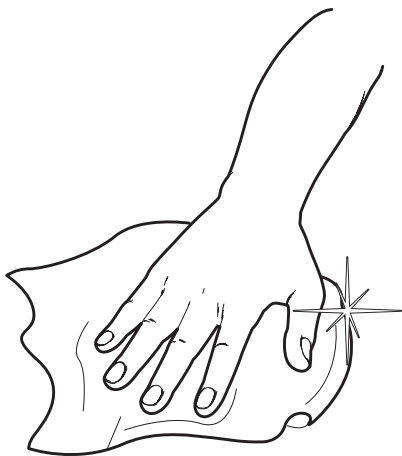




i



1



Artemide®



Artemide

via Bergamo, 18
20010 Pregnana M.se (MI)
ITALIA

tel. +39 02 935 181
fax +39 02 935 90 254
fax +39 02 935 90 496

www.artemide.com

VAT IT00846890150

Artemide Inc.

1980 New Highway
Farmingdale NY 11735

Tel. 631 694 9292
Toll Free 1-877-Art-9111
Fax 631 694 9275

www.artemide.us

Artemide Ltée/Ltd.

11105 rue Renaude Lapointe
Montréal, Québec H1J 2T4

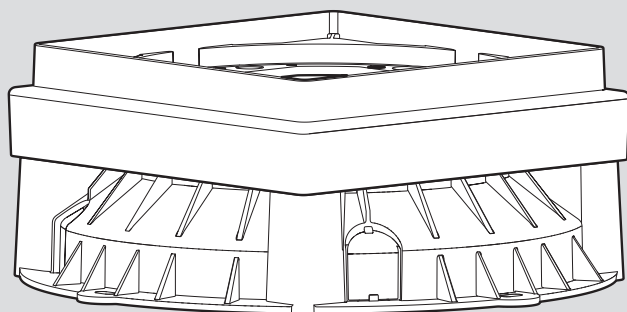
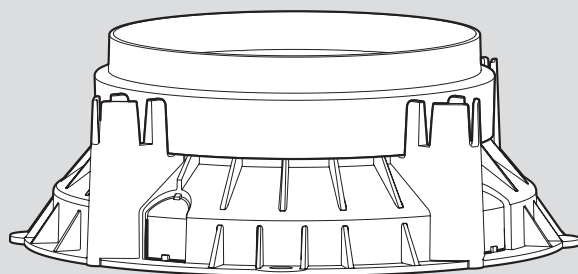
Tel. 514 323 6537
Toll Free 888 777 2783
Fax 514 323 8864

www.artemide.ca

cod. Y513000343A

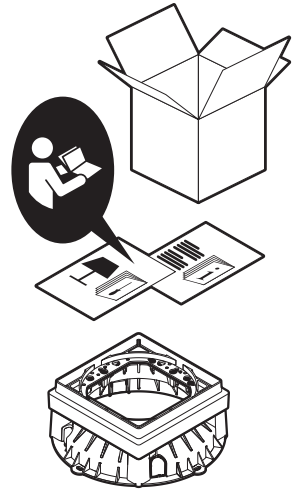
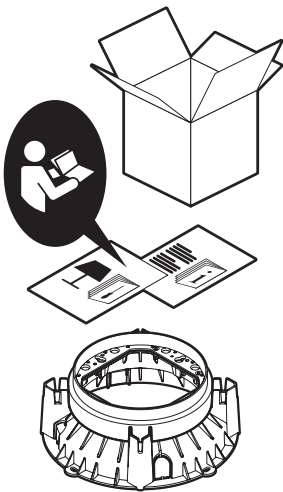
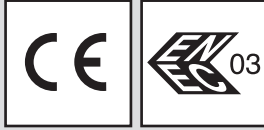
Artemide®

Naiade/Orcamo/Megara



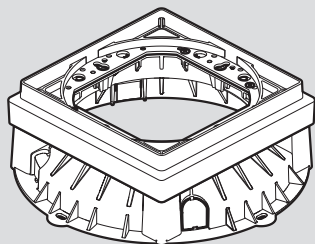


i



i

Naiade/Megara

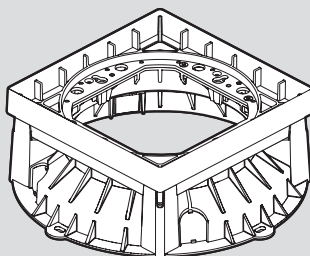


150 x 150 mm

220 x 220 mm

320 x 320 mm

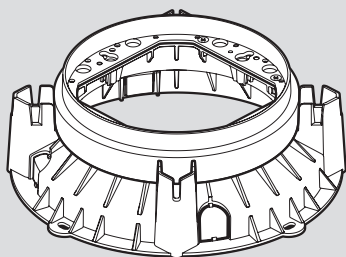
Orcamo



150 x 150 mm

220 x 220 mm

320 x 320 mm



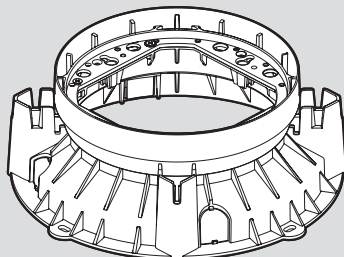
Ø 55 mm

Ø 90 mm

Ø 150 mm

Ø 220 mm

Ø 320 mm



-

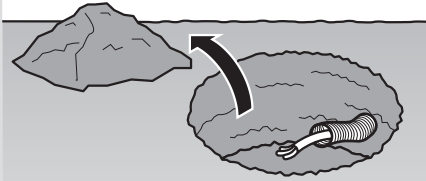
-

Ø 150 mm

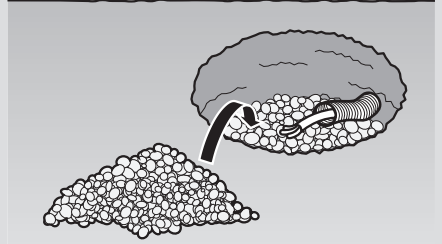
Ø 220 mm

Ø 320 mm

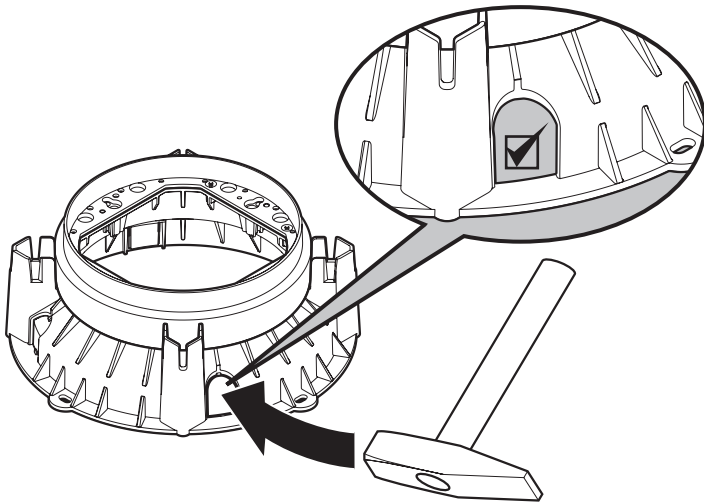
1



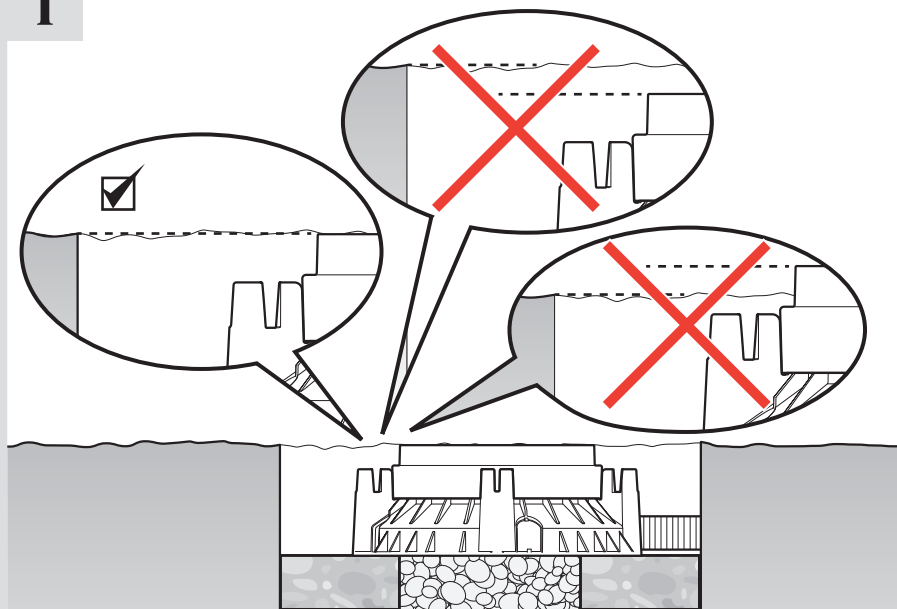
2



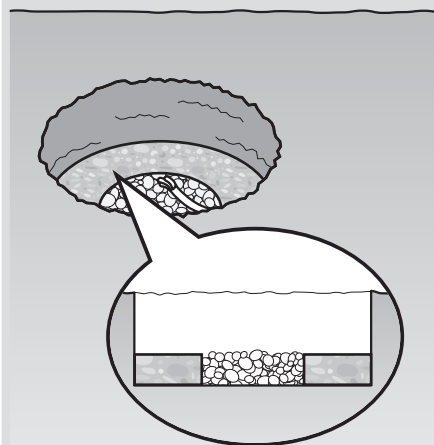
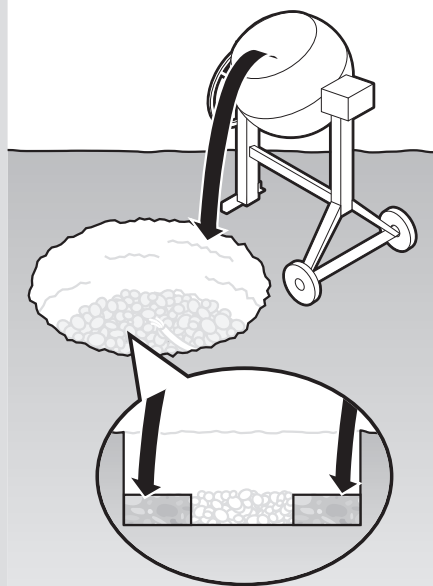
3



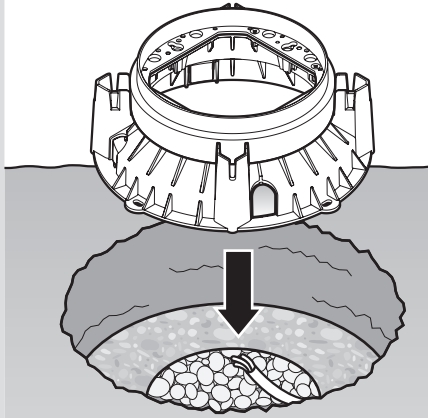
i



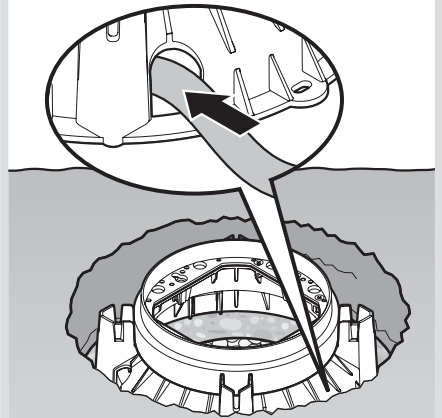
4



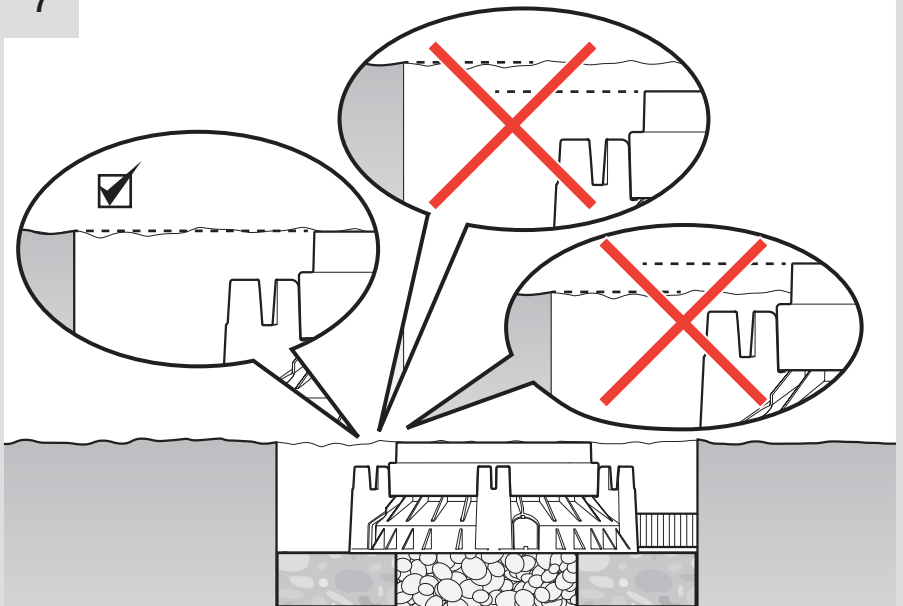
5



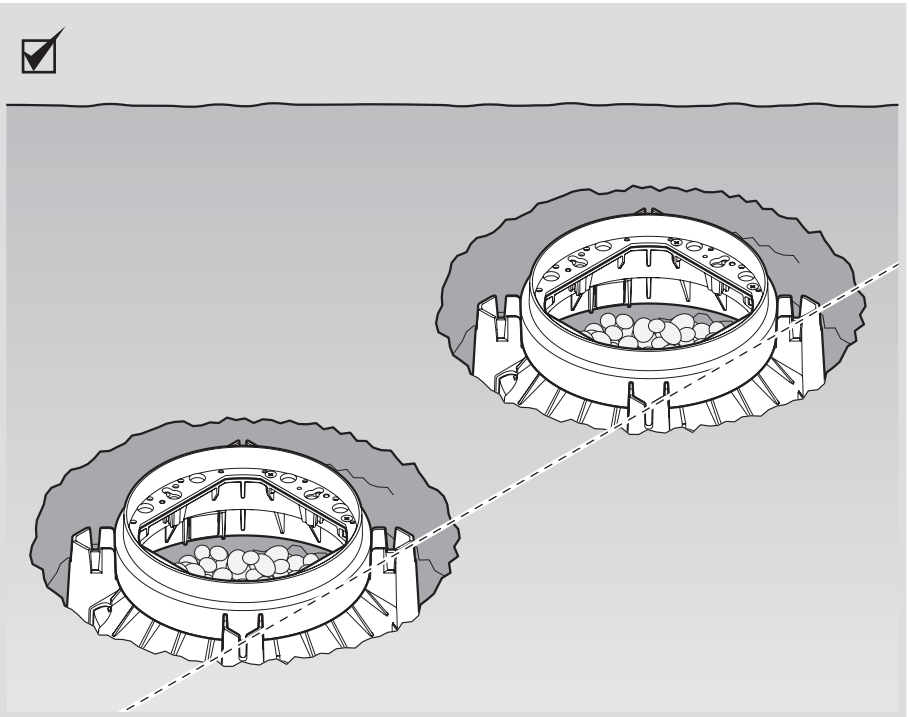
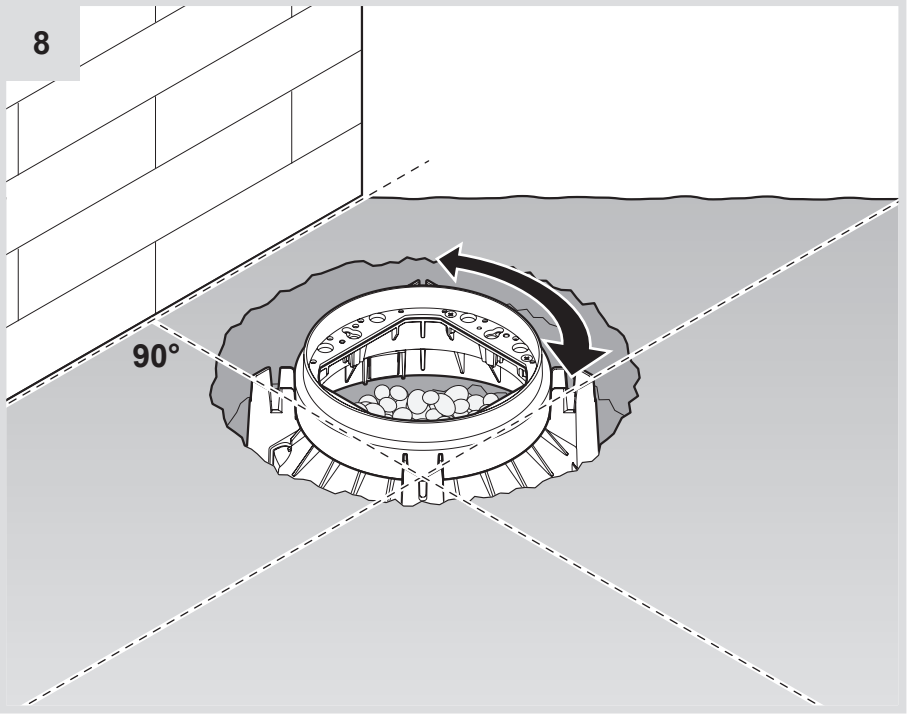
6



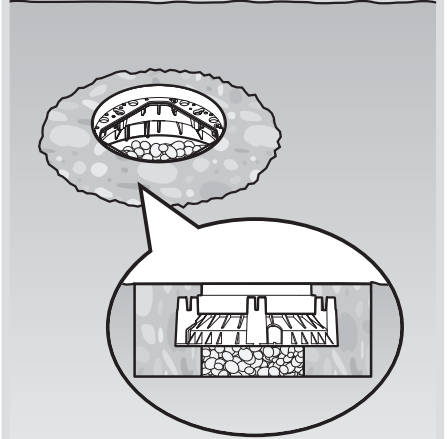
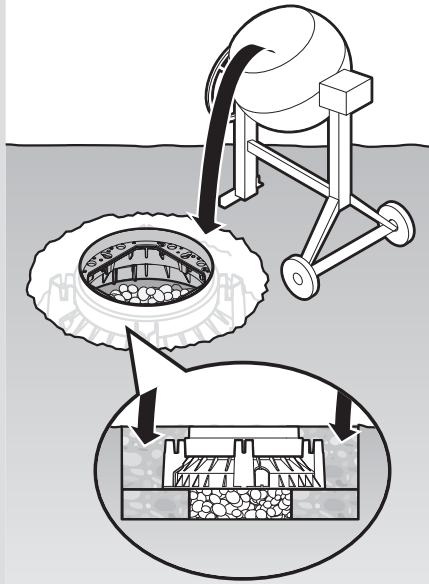
7



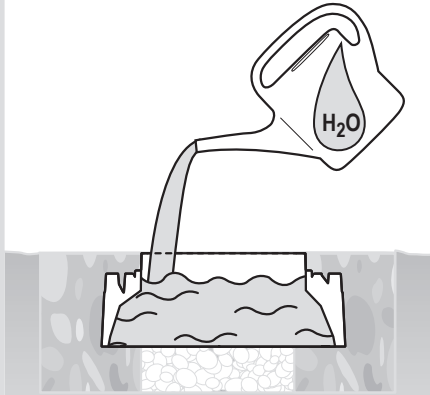
8



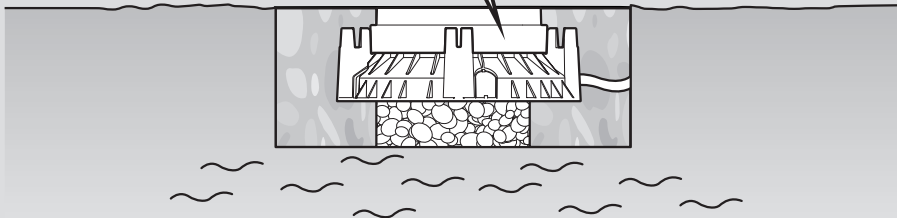
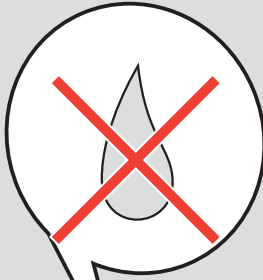
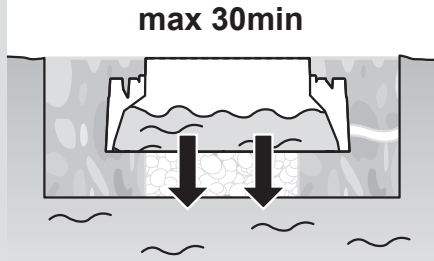
9



10



11



Artemide®



Artemide

via Bergamo, 18
20010 Pregnana M.se (MI)
ITALIA

tel. +39 02 935 181
fax +39 02 935 90 254
fax +39 02 935 90 496

www.artemide.com

VAT IT00846890150

Artemide Inc.

1980 New Highway
Farmingdale NY 11735

Tel. 631 694 9292
Toll Free 1-877-Art-9111
Fax 631 694 9275

www.artemide.us

Artemide Ltée/Ltd.

11105 rue Renaude Lapointe
Montréal, Québec H1J 2T4

Tel. 514 323 6537
Toll Free 888 777 2783
Fax 514 323 8864

www.artemide.ca

cod. Y513000034D