

### Features

- Comfort Depth® design makes it easier to get in and out of the bath.
- Enameled and recessed apron offers easier access and custom storage under bath.
- Integral flange helps prevent water from seeping behind wall and simplifies alcove installation.
- Safeguard® slip-resistant surface on bath floor.
- Right-hand drain.

### Material

- KOHLER® enameled cast iron.

### Installation

- Three-wall alcove.

### Required Products/Accessories

K-7214 27" Cable Bath Drain

or

K-7116 Closing Overflow Cable Bath Drain

or

K-7259 Clearflo Bath Drain

### Recommended Products/Accessories

K-328 Wall-mount Bath Spout

K-330

K-952 Wall-mount Non-diverter Bath Spout

K-1601 Bath/Whirlpool Footstop

K-10044 Wall-mount Non-diverter Bath Spout

K-14426 35° Bath spout

K-14427 90° Bath spout

K-15138 Wall-mount Diverter Bath Spout

K-16246 Wall-mount Non-diverter Bath Spout

K-702200-G54 Frameless Sliding Bath Door

K-702200-G73 Frameless Sliding Bath Door

K-702200-L Frameless Sliding Bath Door

K-702205-L Frameless Sliding Bath Door



ADA

### Codes/Standards

ASME A112.19.1/CSA B45.2

ASTM F462

ADA

ICC/ANSI A117.1

### KOHLER® Enameled Cast Iron Bath and Shower Base Lifetime Limited Warranty

See website for detailed warranty information.

### Available Colors/Finishes

*Color tiles intended for reference only.*

Color	Code	Description
-------	------	-------------



0

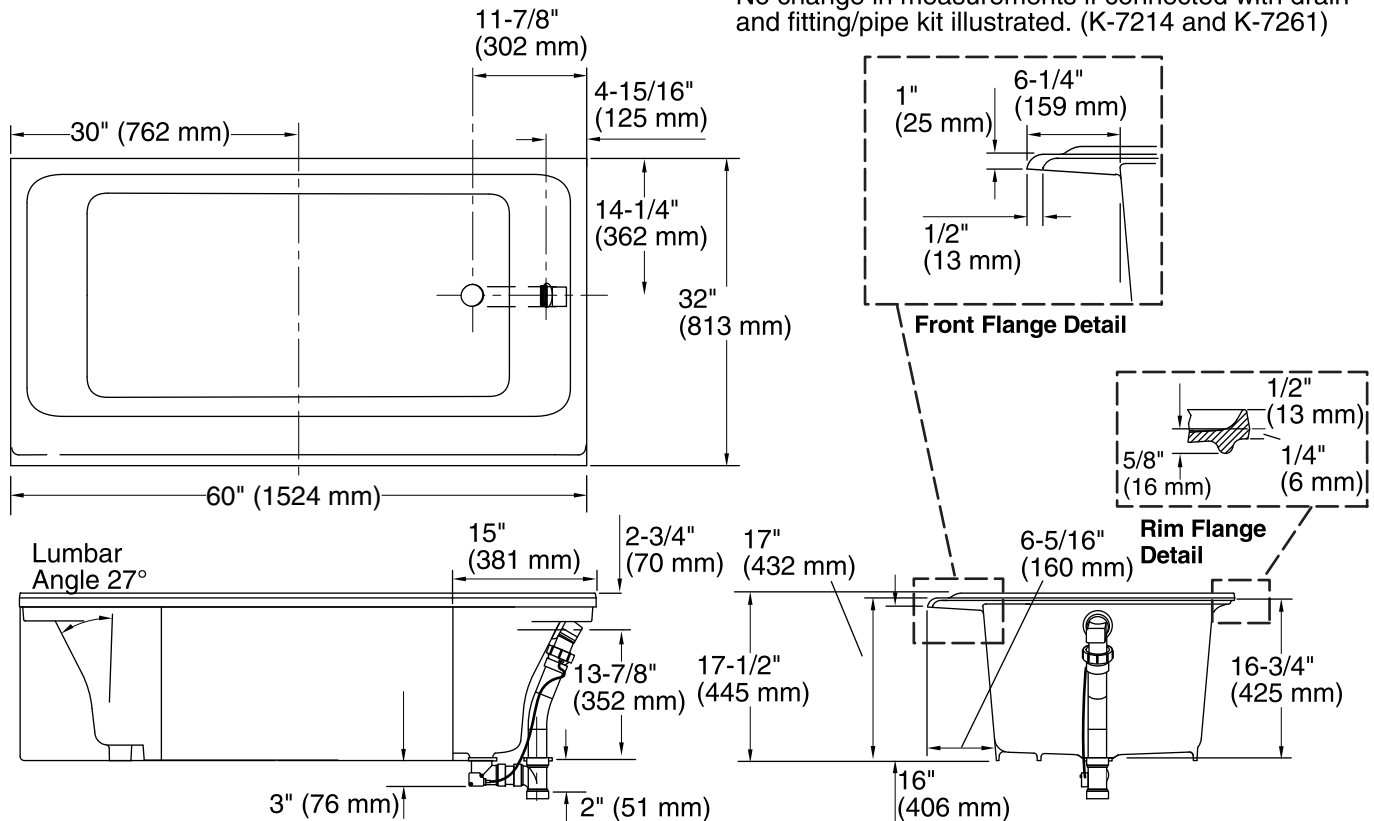
White



96

Biscuit

No change in measurements if connected with drain and fitting/pipe kit illustrated. (K-7214 and K-7261)



### Technical Information

All product dimensions are nominal.

Installation:	Three-wall alcove
Drain location:	Right
Basin area, bottom:	43-7/8" x 20-15/16" (1114 mm x 532 mm)
Basin area, top:	53-3/16" x 23-5/16" (1351 mm x 592 mm)
Weight:	275 lbs (124.7 kg)
Minimum floor load:	54 lbs/ft <sup>2</sup> (263.7 kg/m <sup>2</sup> )
Water depth:	12-13/16" (325 mm)
Water capacity:	49.5 gal (187.4 L)
Minimum flat for door:	3-3/4" (95 mm)

### Notes

- Measure your actual product for rough-in details.
- Install this product according to the installation instructions.
- The hot water supply should be 70% of the capacity of the bath or greater. Installations will vary.
- ADA compliant when installed to the specific requirements of these regulations.