



Shower - Deque

WATER SHEET Cascade spout for wall-mounted installation - polished chrome

Article number: 13 415 979-00



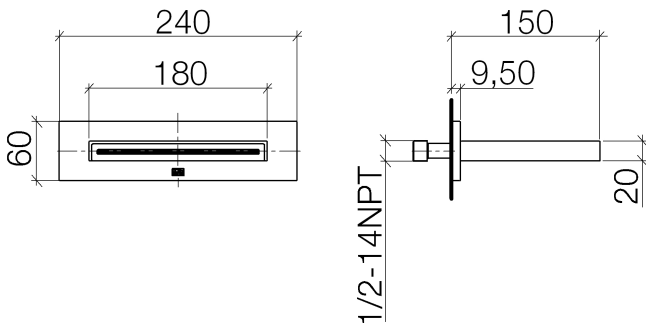
- 5-7/8" Projection
- Cascade
- Cover plate 9-1/2" x 2-3/8"
- 1/2" connection
- Plug-in connection mounting
- Water flow rate limited to max. 7 gpm
- Fittings group in compliance with DIN 4109: 2
- Please note that for an electronic version the flow limiter must be removed.
- In combination with an eValve, the flow rate can deviate.



polished chrome

Accessory is required for this item.

Dimensional drawing





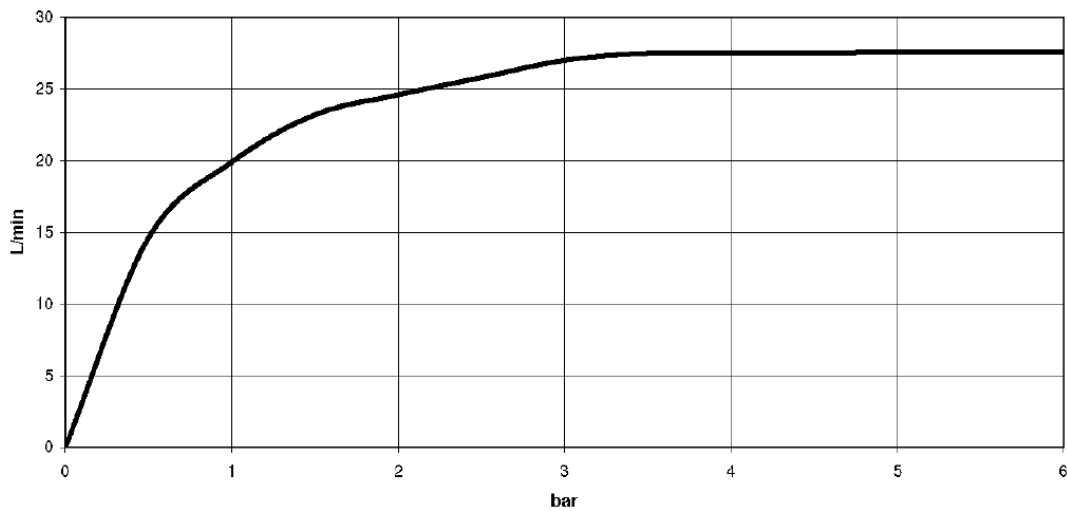
Shower - Deque

WATER SHEET Cascade spout for wall-mounted installation - polished chrome

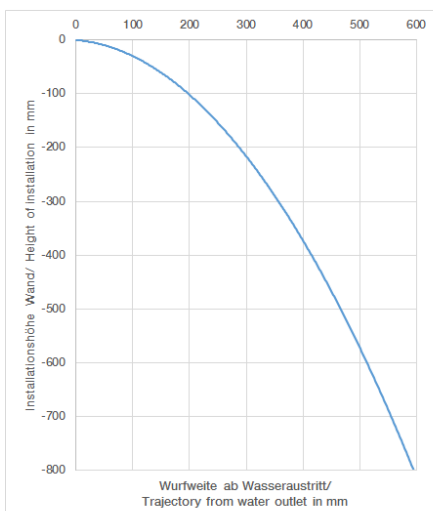
Article number: 13 415 979-00

All dimensions in mm / inch = mm x 0,0394

Flow rate chart



Trajectory length diagram





Shower - Deque

WATER SHEET Cascade spout for wall-mounted installation - polished chrome

Article number: 13 415 979-00

Other surface finishes



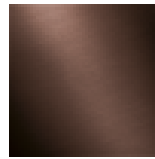
platinum matte
13 415 979-06



platinum
13 415 979-08



Dark Brass matte
13 415 979-16



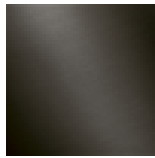
Dark Bronze matte
13 415 979-17



black matte
13 415 979-33



Cyprum
13 415 979-49



Dark Platinum matte
13 415 979-99

More custom finish options are available via special production (xTra Service). Please see our finish matrix for availability and pricing or contact a Dornbracht representative.

Required article



35 080 970-90 0010
Rough-in adapter -

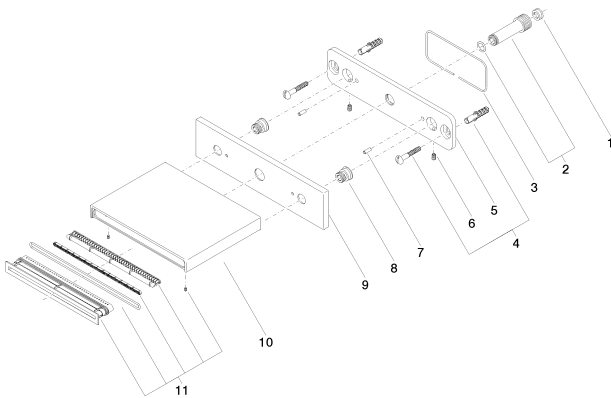


Shower - Deque

WATER SHEET Cascade spout for wall-mounted installation - polished chrome

Article number: 13 415 979-00

Spare parts list



Number	Item Number	Designation	Number of units
1	09 23 01 057 90	Application -	1
2	90 24 03 213 00 90	Nipple -	1
3	09 14 03 134 90	Washer -	1
4	04 30 31 024 01 90	Mounting bracket -	1
5	09 17 97 059 90	Holder -	1
6	09 31 11 036 90	Mounting bracket -	2
7	09 31 11 040 90	Mounting bracket -	2
8	09 24 03 214 90	Nipple -	2
9	09 27 78 031-00	Escutcheon - polished chrome	1
10	09 11 78 003 20-00	Outlet - polished chrome	1
11	90 29 03 059 00 90	Application -	1