

Tolomeo classic TW wall w/ S bracket aluminum

SPECIFICATIONS

TOL1110



Design By

Michele De Lucchi
Giancarlo Fassina

Collection

Design



Specifications

Delivered lumens	412lm
Light output ratio	34.31lm/W
Power consumption	12W
Led type	11W Array*
CCT (Correlated Color Temperature)	N/A
CRI (Color Rendering Index)	>80
Life expectancy	50000Hrs
Control type	DIMMABLE (On Head)
Input Voltage	120-240V
Driver	Plug-In

Colors & Finishes

Aluminum

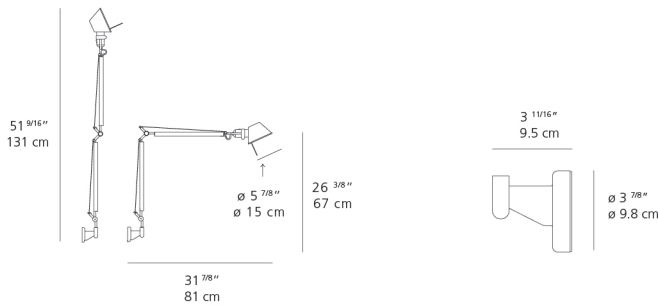
Materials

- Arms and diffuser in aluminum
- Joints and tension control knobs in polished die-cast aluminum
- Tension cables in stainless steel
- S-Bracket in polished die-cast aluminum

Features & Accessories

- Fully adjustable, articulated arm structure
- Tiltable and rotatable diffuser (90 degrees in both directions)
- Tunable White technology allows color temperature to range from 2,500K to 10,000K

Dimensions



Packaging

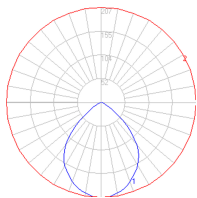
2 Boxes

1 x 10-5/16" x 7-9/16" x 33-3/16" / 4 lbs - 26 cm x 19 cm x 84 cm / 1.815 kg

1 x 4-7/16" x 4-7/16" x 4-7/16" / .55 lbs - 11 cm x 11 cm x 11 cm / .25 kg

Light distribution

Direct



Red = Max Cd. Through Vertical plane

Blue = Max Cd. Through Horizontal plane

Luminaire weight

2.59 lbs / 1.18 kg

Warranty

5 year limited warranty