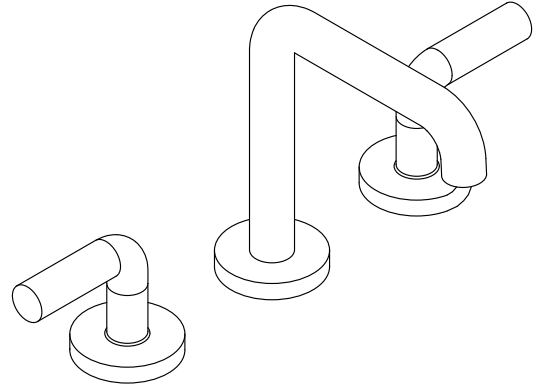


KALLISTA®

One™ by KALLISTA
Sink faucet, tall spout, P.E. Guerin decorative
handles
P32357-ULB

Features

- High-quality solid-brass construction for durability and reliability
- Widespread sink faucet for 8" (203 mm) - 16" (406 mm) centers
- Spout reach is 5-5/16" (135 mm)
- Laminar flow
- Includes soft-touch drain
- 1.2 gpm (4.5 lpm) maximum flow rate



ADA **CSA B651** **OBC**

Codes/Standards

NSF/ANSI/CAN 61

NSF/ANSI/CAN 372

All applicable US Federal and State
material regulations

ADA

ICC/ANSI A117.1

CSA B651

OBC

KALLISTA® Five-Year Limited Warranty

See website for detailed warranty
information.

Available Colors/Finishes

Color tiles intended for reference only.

Color	Code	Description
-------	------	-------------

	SN	Polished Nickel
---	----	-----------------

1-888-4-KALLISTA (1-888-452-5547)

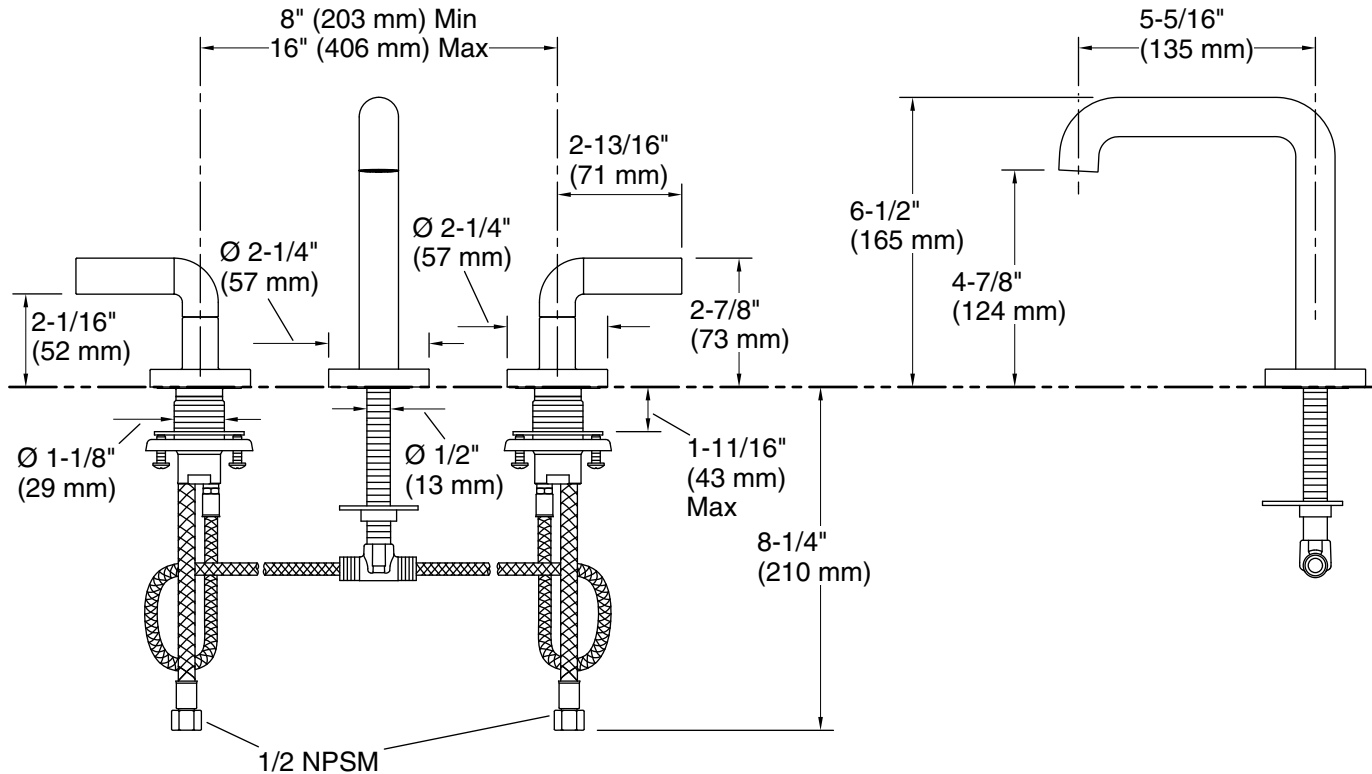
Kallista reserves the right to make revisions without notice to product specifications.

For the most current Specification Sheet, go to www.kallista.com.

11-8-2023 20:45 - US/CA/MX

KALLISTA

One™ by KALLISTA
Sink faucet, tall spout, P.E. Guerin decorative
handles
P32357-ULB



Technical Information

All product dimensions are nominal.

Faucet:

Flow rate: 1.2 gal/min (4.5 l/min)

Pressure: 45 psi (3.1 bar)

Drain included: No

Drain with
overflow: Yes

Spout:

Spout reach: 5-5/16" (135 mm)

Notes

Install this product according to the installation instructions.

ADA, OBC, CSA B651 compliant when installed to the specific requirements of these regulations.

1-888-4-KALLISTA (1-888-452-5547)

Kallista reserves the right to make revisions without notice to product specifications.

For the most current Specification Sheet, go to www.kallista.com.

11-8-2023 20:45 - US/CA/MX