

Logico triple linear ceiling E26/A19

SPECIFICATIONS

0459028A



Design By

Gerhard Reichert
Michele De Lucchi

Collection

Design



Specifications

Lamp type	LED-T
Lamp	max 3X100W E26/A19
Lamp Included	No
Control type	Dimmable 2-Wire
Input Voltage	120V
Power consumption	N/A
Ballast	N/A

Colors & Finishes

- Milky White (Diffuser)
- Pale grey (Body)

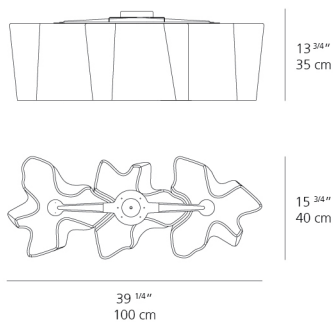
Materials

- Diffuser in handblown glass with satin finish
- Diffuser supporting frame and canopy in die-cast aluminum with matte lacquered finish

Features & Accessories

- Custom applications available

Dimensions



Packaging

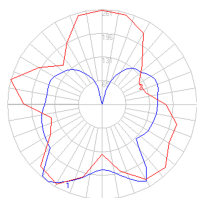
4 Boxes

1 x 33-9/16" x 17" x 33-1/2" / 9.92 lbs - 85 cm x 43 cm x 29 cm / 4.5 kg

3 x 21-3/4" x 19-13/16" x 20-9/16" / 28 lbs - 55 cm x 50 cm x 52 cm / 12.7 kg

Light distribution

Diffused



Red = Max Cd. Through Vertical plane
Blue = Max Cd. Through Horizontal plane

Luminaire weight

59.09 lbs / 26.8 kg

Warranty

5 year Limited warranty