

# FLOS

## Taraxacum 1 - Specification Sheet

by Achille and Pier Giacomo Castiglioni, 1960

---

Mounting	Ceiling Pendant
Lamp (Bulb) Description	1 x 72W BT-15 ECO Halogen (Included)
Environment	Indoor - Dry Location
Dimming	Dimmable
Finish	White
Technical and Product Description	TARAXACUM pendant lamp providing diffused light. White powder coated internal steel structure sprayed with a unique cocoon resin to create the diffuser which is then protected by a transparent sprayed on finish.

### Electrical

---

Voltage	120
Switching	NA
IP Rating	IP20

### Physical

---

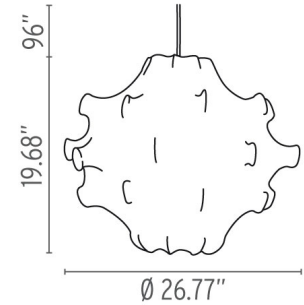
Cord Length (inches)	96" - White
Construction Material	Cocoon Plastic, Steel
Weight	4.63 lbs



---

○ FU740109 White

### Dimensional Image



### Certifications



### Lamping (Bulb)



72W BT-15 ECO Halogen