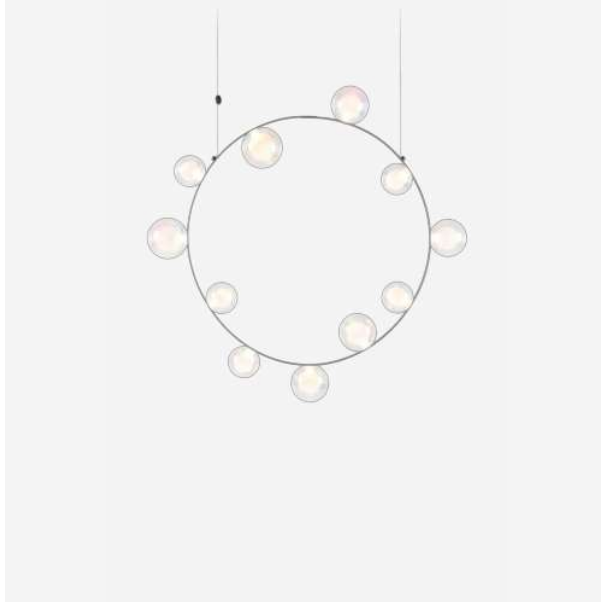


m o o o i

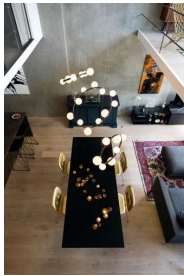
Hubble Bubble

MARCEL WANDERS STUDIO | POWERED THROUGH ELECTROSANDWICH® BY MARCEL WANDERS



Hubble Bubble, designed by Marcel Wanders studio, is an airy and joyful suspension lamp. Available in two sizes, with either 7 or 11 glass LED bubbles in oil-iridescent or frosted versions. Hubble Bubble can be hung both horizontally and vertically and is powered through Electrosandwich® by Marcel Wanders. Hubble Bubble is the cheery statement piece in your home that can hang from any angle.

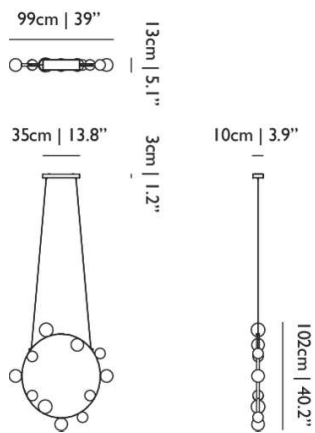
Detailing



Hubble Bubble is powered through Electrosandwich® technology, so the bubbles don't need any additional wiring

Hubble Bubble / 11

Dimensions



Product

WIDTH 99cm | 39"
HEIGHT 102cm | 40.2"
DEPTH 10cm | 3.9"
WEIGHT NETTO 1.5kg | 3.31lbs

Packaging

WIDTH 86.3cm | 34"
HEIGHT 15cm | 5.9"
CUBAGE 0.12m³ | 4.17ft³
LENGTH 91.3cm | 35.9"
WEIGHT 1.5kg | 3.31lbs

Technical CE

MATERIAL

Metal frame, polycarbonate light guides and glass bulbs

ENERGY LABEL

Energy Label B

LIGHTSOURCE TYPE

LED

NUMBER OF LIGHTSOURCES

11

INPUT VOLTAGE

220-240

MAX POWER CONSUMPTION

20W

LAMPHOLDER

LED (Solid state)

CABLE COLOUR

Transparent with tinned cores

CANOPY

Matching metal rectangle

CRI

93

LIGHT OUTPUT

530 lm

INSTALLATION REQUIRED

Yes

LIGHTSOURCE INCLUDED

Yes

SHAPE

Round

FREQUENCY

50/60

DIMMABLE

Yes

LIFETIME

50000 hours

CABLE LENGTH

250cm | 98.4"

COLOUR TEMPERATURE

2700 K

LIGHT DIRECTION

All directions

EEL

0.43

EFFICIENCY

26.5 lm/W

MEASURED POWER CONSUMPTION

17W

*Technical cULus***MATERIAL**

Metal frame, polycarbonate light guides and glass bulbs

ENERGY LABEL

Energy Label B

INSTALLATION REQUIRED

Yes

LIGHTSOURCE TYPE

LED

LIGHTSOURCE INCLUDED

Yes

NUMBER OF LIGHTSOURCES

11

SHAPE

Round

INPUT VOLTAGE

110-130

FREQUENCY

50/60

MAX POWER CONSUMPTION

20W

DIMMABLE

Yes

LAMPHOLDER

LED (Solid state)

LIFETIME

50000 hours

CABLE COLOUR

Transparent with tinned cores

CABLE LENGTH

250cm | 98.4"

CANOPY

Matching metal rectangle

COLOUR TEMPERATURE

2700 K

CRI

93

LIGHT DIRECTION

All directions

LIGHT OUTPUT

530 lm

EEL

0.43

EFFICIENCY

26.5 lm/W

MEASURED POWER CONSUMPTION

17W