

PRODUCT SPECIFICATIONS

TLGU-39-WH



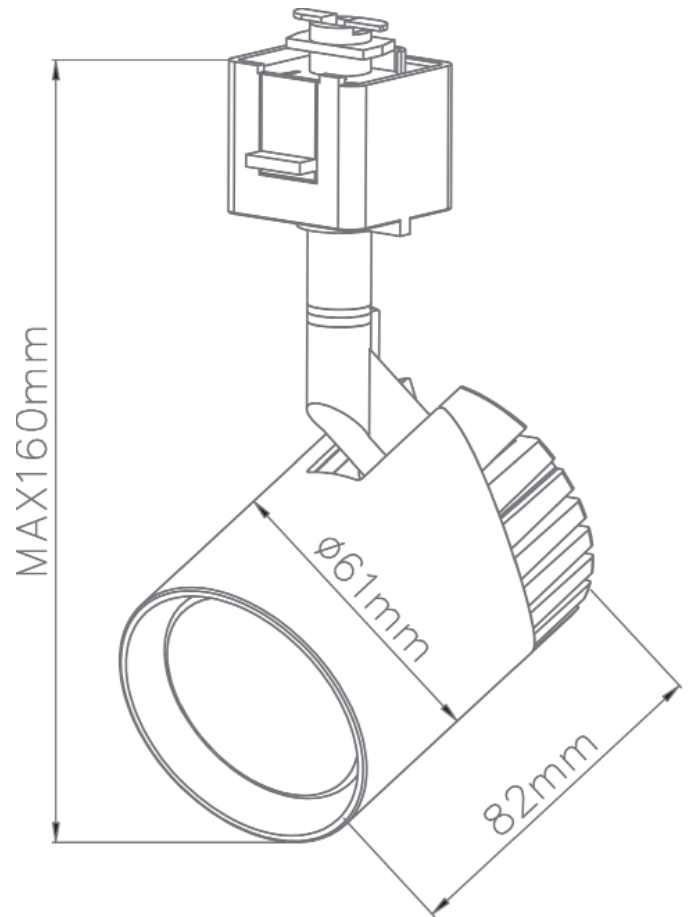
Description

Line voltage track head cylinder for use with GU-10 base lamps.

- White finish with matching rear vent accent
- Directional light source providing 90° vertical aiming capability with 300° horizontal rotation
- Lamp: GU-10 120V/50W (max.)
- Dimmer compatible
- Ceramic 120V AC GU-10 base socket
- Lead wires concealed within stem
- Suction cup lamp removal aid included
- Overall height: 6"
- Head diameter: 2.4", Length: 3.2"
- LED compatible

120V, 60Hz, 50W Maximum

Conforms to UL Std. 1574
 Certified to CSA Standard C22.2 No. 9.0



Project:	
Fixture Type:	
Location:	
Contact info:	

