

Features

- Digitally controlled thermostatic mixing valve
- Antiscald protection
- Built-in temperature and flow control
- Allows for two different temperature and flow zones in your shower
- Includes optional flow restrictor, limiting total flow to 1.75 gpm (6.6 lpm), for installations where water conservation or CEC compliance is desired
- Highly anticipated updates to the KOHLER Konnect® app will unlock additional Anthem system features, Kohler-developed experiences, and system updates
- Up to 22 gpm (83 lpm) flow rate at 45 psi (3.1 bar) with maximum flow of 9.5 gpm (36 lpm) from one outlet
- Four independently controllable 1/2" outlets with brass tube connections
- 3/4" inlets with brass tube connections

Material

- Reinforced engineering-grade thermoplastic body

Installation

- Mounts within standard 2" x 4" (38 x 102 mm) walls
- Install valve approximately 32' (9754 mm) away from the digital control (cable supplied with control)
- Prewired with two-prong plug for connection to 120v GFCI receptacle
- After digital control is connected to valve and power source, follow on-screen prompts for easy setup; no Internet needed. (Digital control sold separately)

Required Products/Accessories

For wall-mount installation
K-28214 Digital control

Optional Products/Accessories

K-28213 Remote on/off button for digital thermostatic valve

Included Components

Additional Components:
Filter Screens (Qty 2)
Jumper
Mounting Hardware
Power Supply Unit



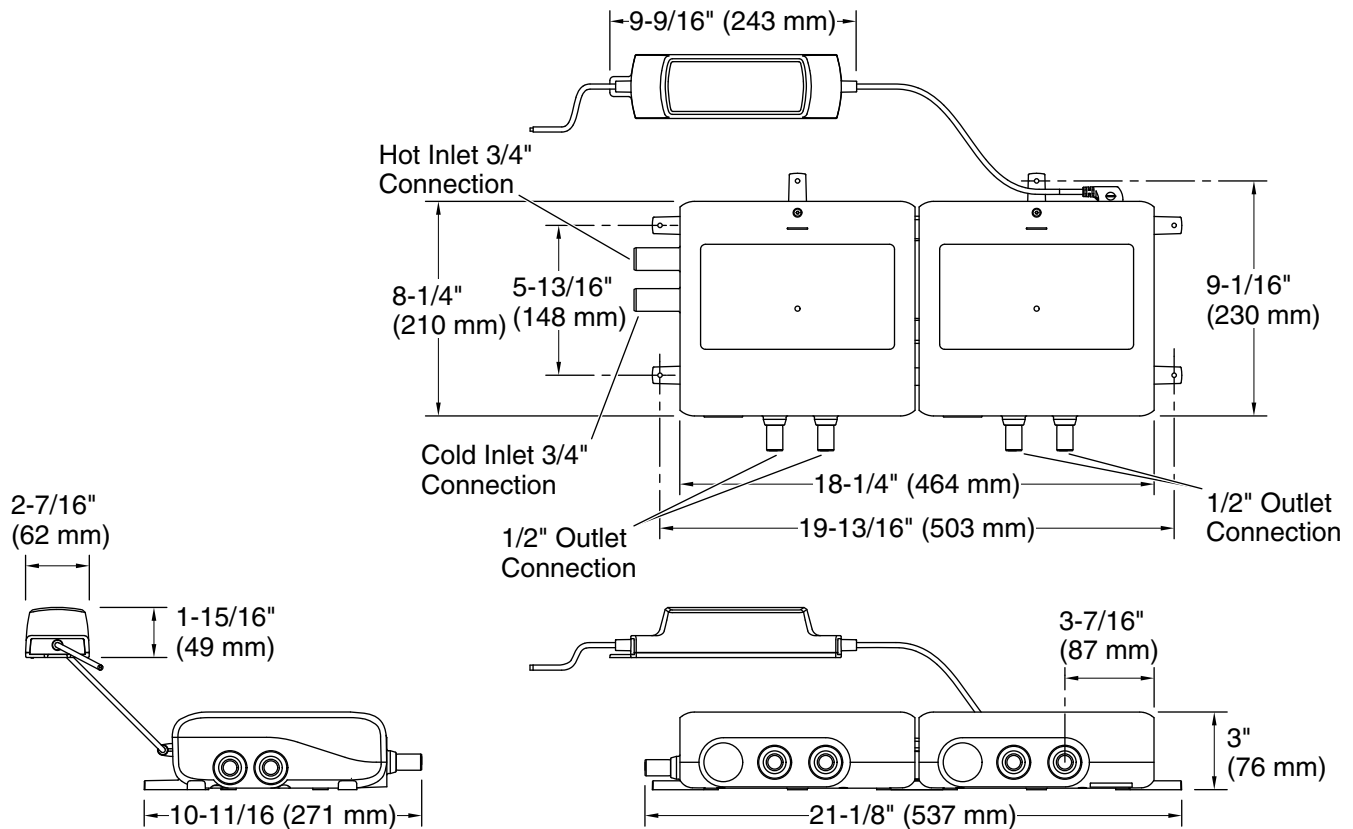
Codes/Standards

ASME A112.18.1/CSA B125.1
ASSE 1016/ASME A112.1016/CSA B125.16
UL 1951
CSA C22.2 No. 14
CSA C22.2 No. 68

KOHLER® Electronic Faucets, Valves, and Controls Five-Year Limited Warranty

See website for detailed warranty information.

The BLUETOOTH® word mark and logos are registered trademarks owned by Bluetooth SIG, Inc. and any use of such marks by Kohler Co. is under license. Other trademarks and trade names are those of their respective owners.



Required Electrical Service

One circuit required, protected with Class A Ground-Fault Circuit-Interrupter (GFCI). Outside North America, this device may be known as a Residual Current Device (RCD).

Thermostatic valve: 120 V, 1.6 A, 60 Hz

Technical Information

All product dimensions are nominal.

Power source: Plug - AC, included

Shower Valve:

Flow Rate (Max) @ 45 psi: 22.5 gal/min (85.2 l/min)

Manufacturer's minimum rated flow: 0.9 gal/min (3.4 l/min)

Pressure: 45 psi (3.1 bar)

Maximum (Static) Pressure: 125 psi (8.6 bar)

Minimum (Operating) Pressure: 15 psi (1 bar)

Valve body: Plastic

Drain included: No

Electrical component Thermostatic valve: 120 V, 1.6 A, 60 Hz rating:

Cable length: Data, 32 ft (9.8 m)

1-800-4KOHLER (1-800-456-4537)

Kohler Co. reserves the right to make revisions without notice to product specifications.

For the most current Specification Sheet, go to www.kohler.com.

3-9-2023 00:24 - US/CA/MX