

Rigid Standoff

700MOS_

1.7



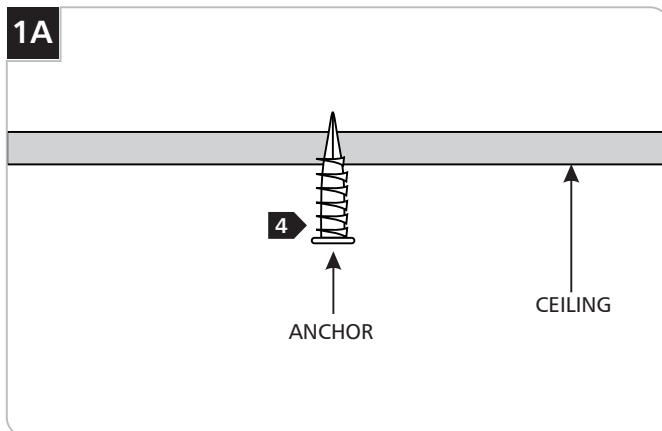
GENERAL PRODUCT INFORMATION:



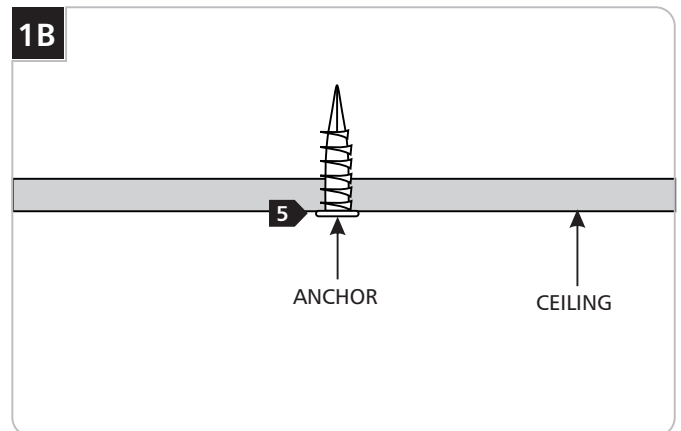
This product is suitable for indoor dry locations only.

This product must be used with Tech Lighting MonoRail system only.

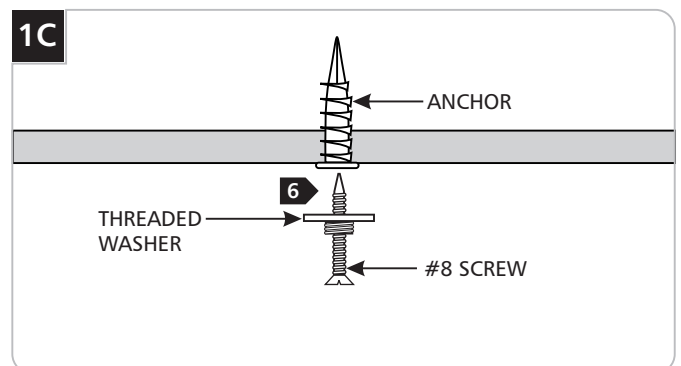
Use the MonoRail rigid standoff every three feet and over the MonoRail join connectors.



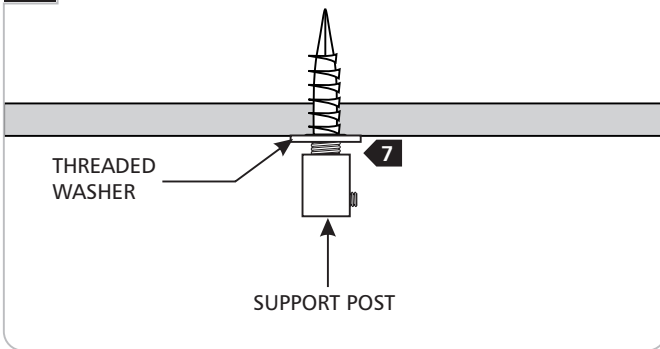
- 1** Select a location on the ceiling where the MonoRail is to be mounted.
- 2** One way of marking the standoff locations on the ceiling is to lay the MonoRail on the floor underneath of the selected location and by using a plumb bob pointing on the center of the MonoRail mark the points on the ceiling.
- 3** The other way is to hold the MonoRail directly against the ceiling and mark the standoff points on the ceiling.
- 4** Tap the anchors at the marked points up to the threaded portion with a hammer.



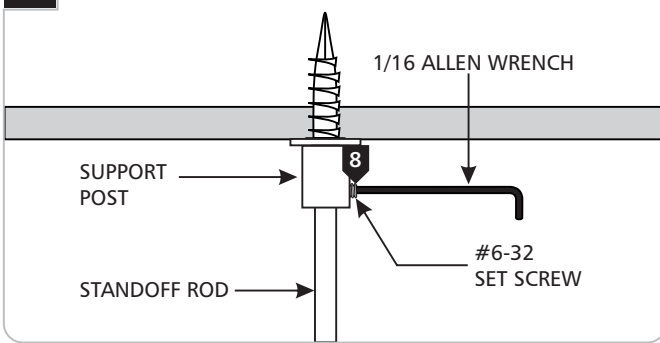
- 5** Screw the anchors in the rest of the way with a Phillips screwdriver.



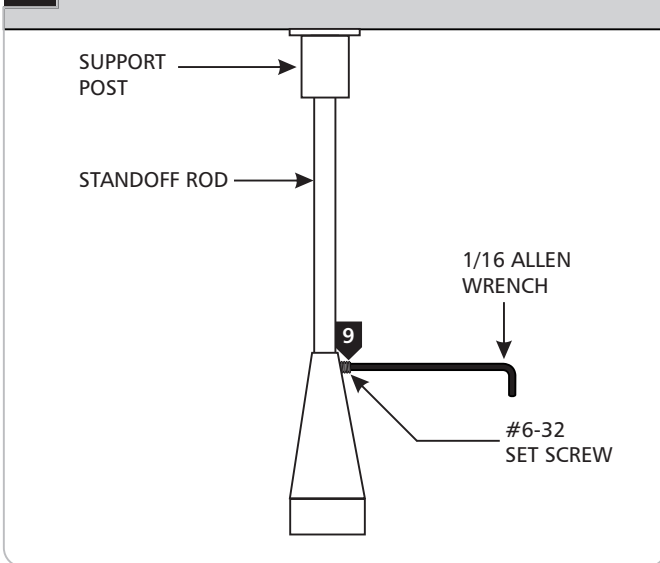
- 6** Attach the threaded washer to the anchor with the #8 screw.

1D

7 Screw the support posts to the threaded washers.

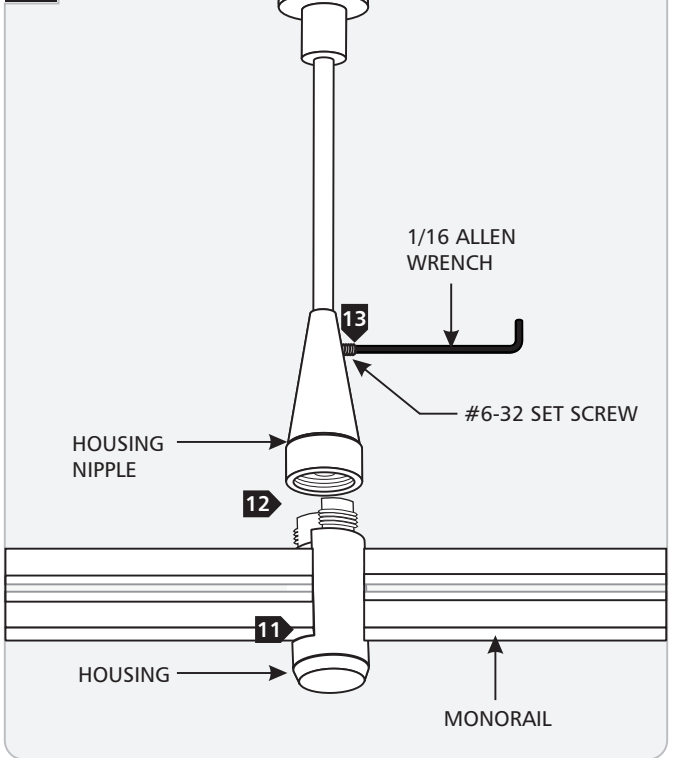
1E

8 Push the standoff rod all the way into the support post and tighten the #6-32 set screw with 1/16 Allen wrench.

1F

9 Push the housing nipple all the way onto the standoff rod and tighten the #6-32 set screw snugly with the 1/16 Allen wrench.

10 Repeat steps 8 and 9 for remaining standoffs.

1G

11 Place the MonoRail into the housing.

12 Loosen the #6-32 set screw on the housing nipple so that it can turn easily and screw the housing nipple to the housing tight.

13 Tighten the #6-32 set screw with the 1/16 Allen wrench.

SAVE THESE INSTRUCTIONS!



TECH LIGHTING®

7400 Linder Ave, Skokie, IL 60077

847.410.4400

www.techlighting.com

© 2008 Tech Lighting, L.L.C. All rights reserved. The "Tech Lighting" graphic is a registered trademark of Tech Lighting, L.L.C. Tech Lighting reserves the right to change specifications for product improvements without notification.
A Generation Brands Company