

Finch Float and Flush Square or Round Ceiling (LED)

700FMFIN_-LED

1.3



GENERAL PRODUCT INFORMATION:

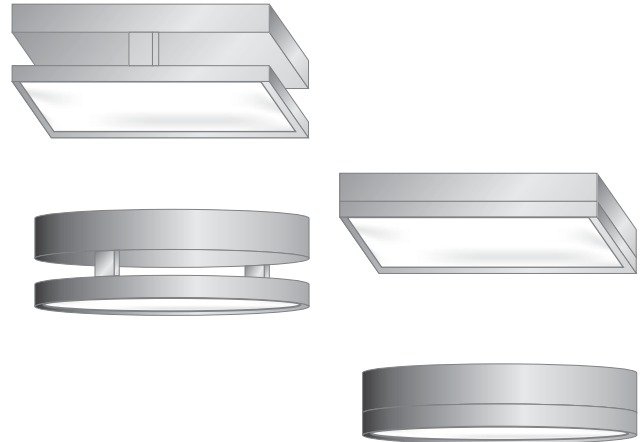


These fixtures are intended to be installed utilizing NEC compliant junction boxes.

This product is suitable for damp locations.

This product may be dimmed with a low-voltage electronic dimmer, TRIAC dimmer, or a 0-10V dimmer depending on the wiring configuration.

This instruction shows a typical installation.

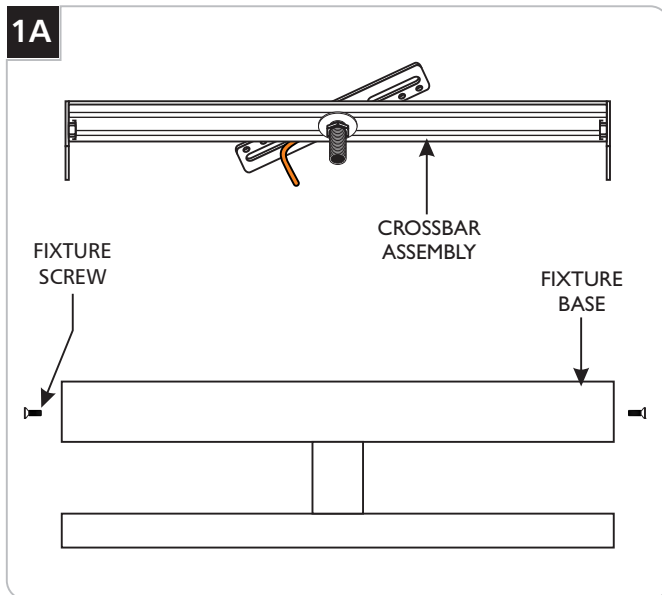


CAUTION - RISK OF FIRE

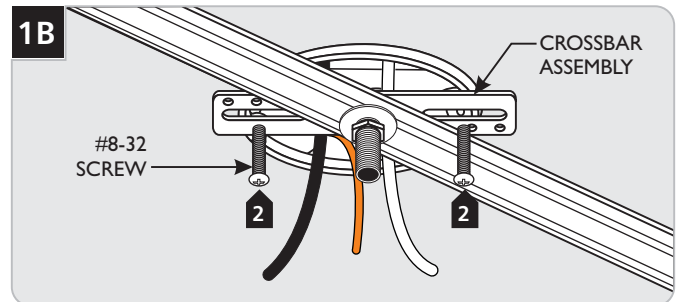
This product must be installed in accordance with the applicable installation code by a person familiar with the construction and operation of the product and the hazards involved.

Use minimum 90°C supply conductors.

Install the Fixture

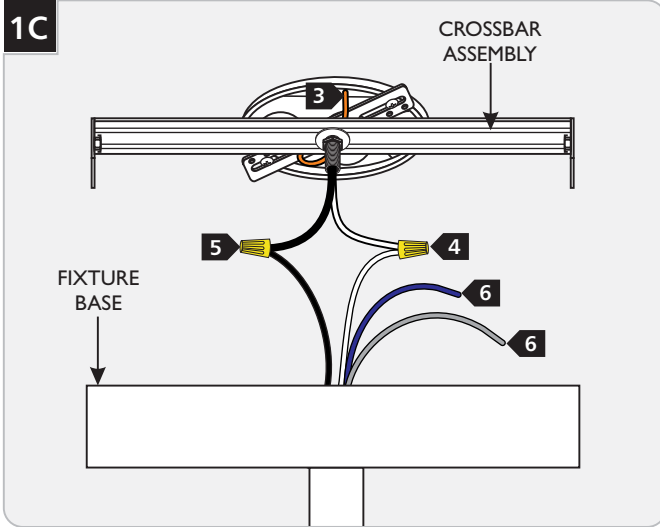


1 Separate the crossbar assembly from the fixture base by unscrewing and removing the two fixture screws.



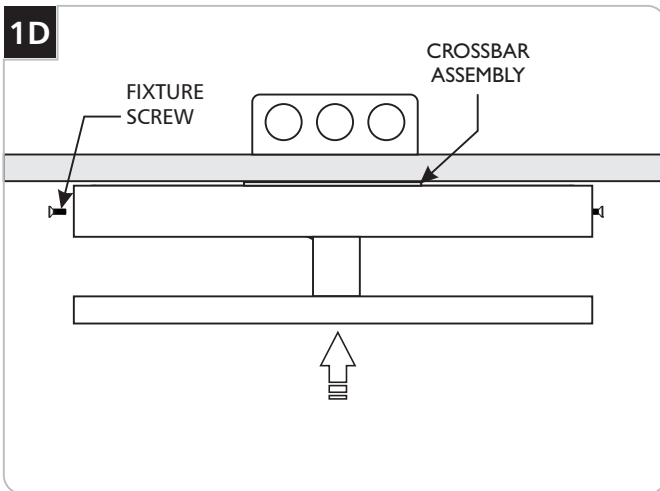
Note: If necessary, loosen the nut on the crossbar to adjust it to the desired position.

2 Mount the crossbar assembly to the electrical box with the two provided #8-32 screws.



- 3 Connect the fixture to a suitable ground in accordance with local electrical codes.
- 4 Connect the white driver wire to the neutral power line.
- 5 Connect the black driver wire to the hot power line.
- 6 Use the gray and purple dimming wires for 0-10V dimming application.

NOTE: The purple and gray wires are only used for 0-10v dimming. For all other applications, cap off and do not connect the gray and purple wires.



- 7 Place all wires and wire nut connections inside the fixture base.
- 8 Align the fixture base holes with the crossbar assembly holes and install the two fixture screws (**DO NOT TIGHTEN**).
- 9 Push the fixture up so that it flush to ceiling and evenly tighten the screws from both sides until the fixture is secure.

SAVE THESE INSTRUCTIONS!



7400 Linder Ave, Skokie, IL 60077
847.410.4400

www.techlighting.com

© 2016 Tech Lighting, L.L.C. All rights reserved. The "Tech Lighting" graphic is a registered trademark of Tech Lighting, L.L.C. Tech Lighting reserves the right to change specifications for product improvements without notification.
A Generation Brands Company