

nh S2 22 Suspension

1275018A

SPECIFICATIONS



Design By

NERI&HU

Collection

Design



Specifications

Lamp type	LED-T (Non Integrated) ONLY
Lamp	max 15W E26/A19
Lamp Included	No
Control type	Dimmable 2-Wire
Input Voltage	120V
Power consumption	15W
Ballast	N/A

Colors & Finishes

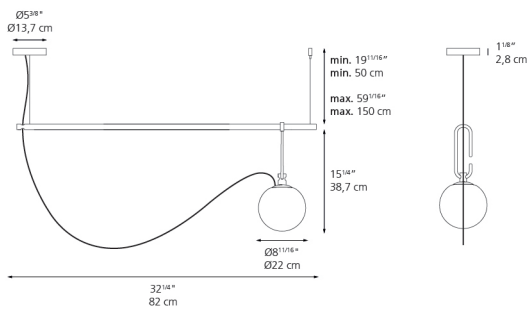
- White Glass (Diffuser)
- Brushed Brass (Ring)
- Black (Stem)

Materials

- Diffuser in white blown glass
- Adjustable ring in a brushed brass
- Structure in metal painted black

Features & Accessories

Dimensions



Packaging

2 Boxes

1 x 41-1/4" x 7-9/16" x 5-13/16" / 5.03 lbs - 104.5 cm x 19 cm x 14.5 cm / 2.28 kg

1 x 11-1/8" x 11-1/8" x 11-1/8" / 3.45 lbs - 28 cm x 28 cm x 28 cm / 1.565 kg

Light distribution

Diffused

Luminaire weight

4.29 lbs / 1.95 kg

Warranty