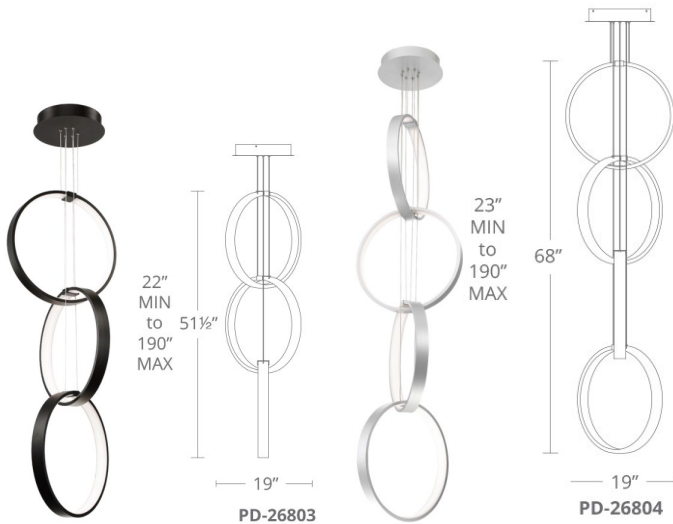


RINGS Pendants

PD-26801 / PD-26802 / PD-26803 / PD-26804

MODERN FORMS

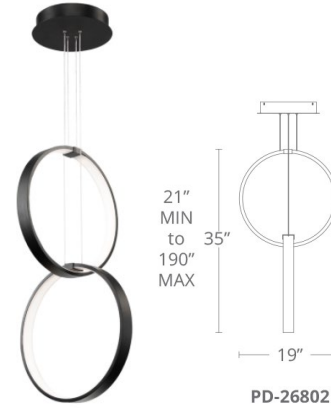


Fixture Type: _____

Catalog Number: _____

Project: _____

Location: _____



PRODUCT DESCRIPTION

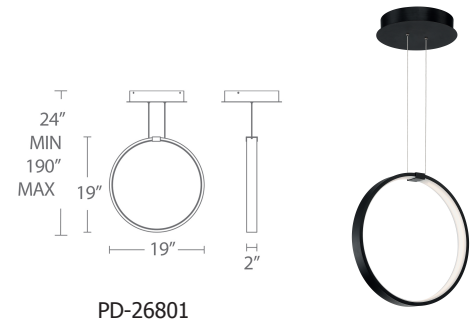
Breakthrough LED technology and clever engineering details elevate the classic chain motif on this pendant. Each circle features a magnetic closure to create a seamless look, which is echoed by the ultra-thin powered aircraft cables and round canopy. Light radiates from inside each loop, delivering warm, energy-efficient illumination into atriums and living spaces. Choose from one, two, three or four links in sleek titanium or authoritative black.

SPECIFICATIONS

- Construction:** Aluminum
- Light Source:** High output LED
- Finish:** Black, Titanium
- Standards:** ETL & cETL listed

FEATURES

- Magnetic ring closures make linking a snap
- Thin, powered aircraft cables provide an ultra-clean look and are easy to adjust for customized suspension height
- Silica gel diffusers
- Transformer within canopy
- Dimmer: ELV
- CRI: 90
- Rated Life: 36000 hours
- Minimum Suspension: 21", Maximum Suspension: 190"



ORDER NUMBER

Model	Wattage	Voltage	LED Lumens	Delivered Lumens	Finish
PD-26801	1 Light	24W	1496	909	BK Black TT Titanium
PD-26802	2 Lights	48W	2992	1792	
PD-26803	3 Lights	71W	4488	2706	
PD-26804	4 Lights	94W	5985	3526	

Example: **PD-26803-BK**

modernforms.com
Phone (866) 810.6615
Fax (800) 526.2585

Headquarters/Eastern Distribution Center
44 Harbor Park Drive
Port Washington, NY 11050

Central Distribution Center
1600 Distribution Ct
Lithia Springs, GA 30122

Western Distribution Center
1750 Archibald Avenue
Ontario, CA 91760