

CAUTION: FAILURE TO INSTALL THIS FIXTURE PROPERLY MAY RESULT IN SERIOUS PERSONAL INJURY OR DEATH AND PROPERTY DAMAGE. We recommend installation by a licensed electrician. This product must be installed in accordance with applicable installation code(s), by a person familiar with the construction and operation of the product and the hazards involved.*

Caution: Do not exceed maximum wattage noted on fixture. Use only recommended bulbs with fixture.

To Install the Canopy (Figures 1 & 2)

Component Parts

A Crossbar	F Fixture
B Ground Screw	G Canopy Gripper
C Cupped Washer	H Supply/Support Cable
D Canopy	L Canopy Plate
E #8 Screws	M Screws w/ Lock Washers

CAUTION: BE SURE POWER IS OFF AT THE MAIN BREAKER BOX PRIOR TO INSTALLATION.

- Carefully unpack the fixture from the carton.
- Crossbar (A) and canopy (D) ship attached. Remove (2) #8 screws (E) to separate the canopy (D) from the crossbar (A). Retain parts for later use.
- Using two machine screws (not provided), fasten the crossbar (A) to the electric box.

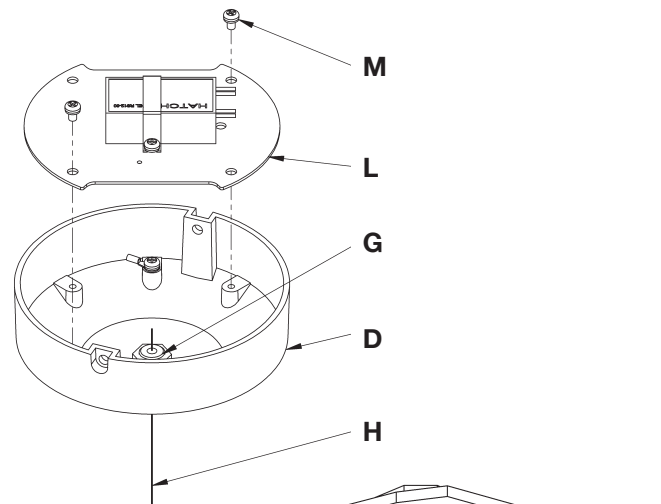
Note: A new electric box comes with screws. When replacing a fixture, retain the existing screws for use with the new fixture.

- Height of fixture can be set before attaching the fixture to the ceiling. Remove screws w/lock washers (M) and canopy plate (L) from canopy (D). If height is going to stay at max length or just a slight height adjustment is needed it may not be necessary to remove the canopy plate. Note: Fixture is shipped at max height.
- Push supply/support cable (H) into canopy gripper (G) until desired height is reached.
- Coil supply/support cable (H) in canopy (D) and place canopy plate (L) in canopy (D). Install screws w/lock washers (M) to secure plate.

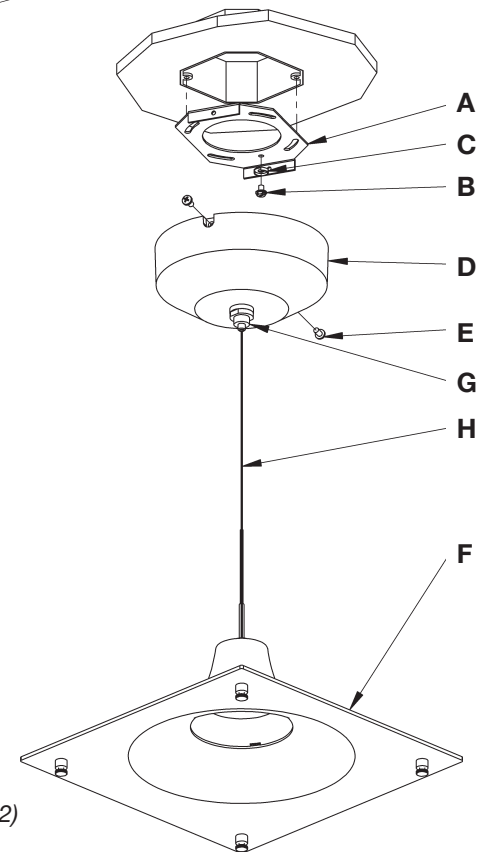
CAUTION: BE SURE NOT TO PINCH THE SUPPLY/SUPPORT CABLE IN BETWEEN THE CANOPY (D) AND THE CANOPY PLATE (L).

- Using suitable wire connectors (not provided) connect fixture wires to supply wires (white to white, black to black). Using the crossbar ground screw (B) and the cupped washer (C) run a pigtail lead to the junction box and connect all ground wires (bare copper or green to bare copper or green).

(Continued)



(Figure 1)



(Figure 2)

If you need further assistance, or find that you are missing any parts, please contact the dealer from which you purchased this product. We hope you enjoy your fixture!

* Hubbardton Forge will not be liable for injury or damage caused by improper installation, lamping or use of this fixture.

To Install the Canopy (Figures 1 & 2)

(Continued)

CAUTION: MAKE SURE WIRE CONNECTORS ARE TWISTED ON SECURELY, AND NO BARE WIRE IS EXPOSED.

8. Raise canopy (D) close to ceiling. Align holes in canopy (D) with holes in crossbar (A) and secure with (2) #8 screws (E).
9. If fixture height needs to be adjusted to achieve desired height, loosen knob and push up on canopy gripper (G) and gently pull down/push up on supply/support cable (H).

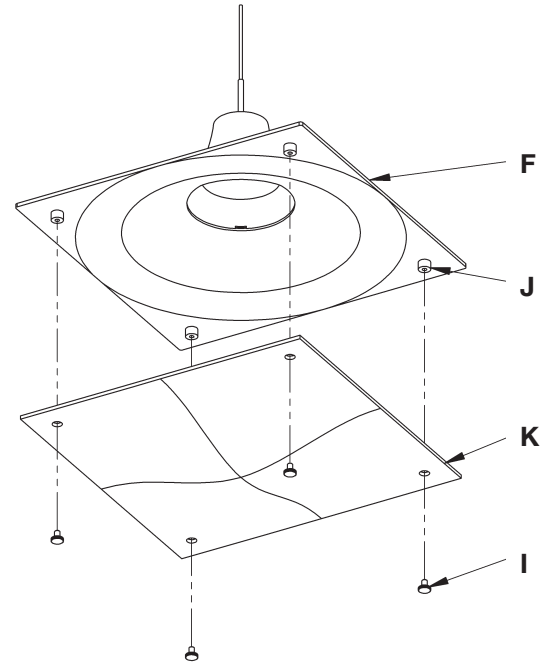
Note: Excessive movement of cable through the gripper could cause cable to fray slightly. Usage of the cable gripper is not recommended to frequently adjust the fixture up and down in height.

To Install Glass (Figure 2)

Component Parts

- F Fixture
- I Knurled Screws (4)
- J Threaded Studs (4)
- K Glass

1. Remove knurled screws (I) from threaded studs (J) and set them aside.
2. Install light bulb (not included).
3. Raise glass (K) and align holes with threaded studs (J).
4. Fasten glass (K) to threaded studs (J) using knurled screws (I). Be careful not to overtighten.
5. Restore electricity at main breaker.



(Figure 2)

If you need further assistance, or find that you are missing any parts, please contact the dealer from which you purchased this product. We hope you enjoy your fixture!

*Hubbardton Forge will not be liable for injury or damage caused by improper installation, lamping or use of this fixture.