

Features

- Optimized sprayface for maximum performance
- MasterClean™ sprayface features an easy-to-clean surface that withstands mineral buildup
- 1/2" NPT connection
- 5-15/16" (151 mm) diameter sprayface
- 1.75 gpm (6.6 lpm) maximum flow rate

Technology

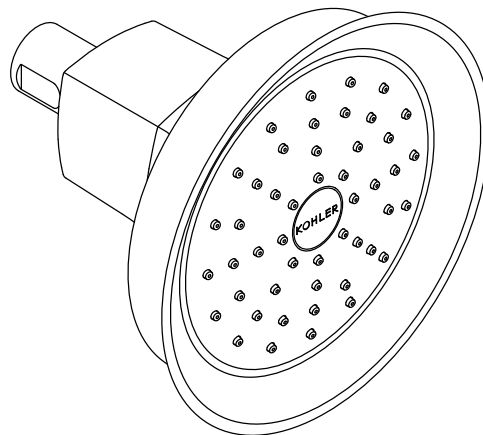
- Katalyst® air-induction technology infuses water with air, creating bigger drops for a more powerful spray
- Katalyst® air-induction technology infuses water with air, creating bigger drops for a more powerful spray

Installation

- Shower arm and flange sold separately

Recommended Products/Accessories

- K-16280 Shower Arm and Flange
- K-16281 Shower arm
- K-23723 Faucet cleaner



Codes/Standards






- ASME A112.18.1/CSA B125.1
- DOE - Energy Policy Act 1992
- EPA WaterSense®
- California Energy Commission (CEC)

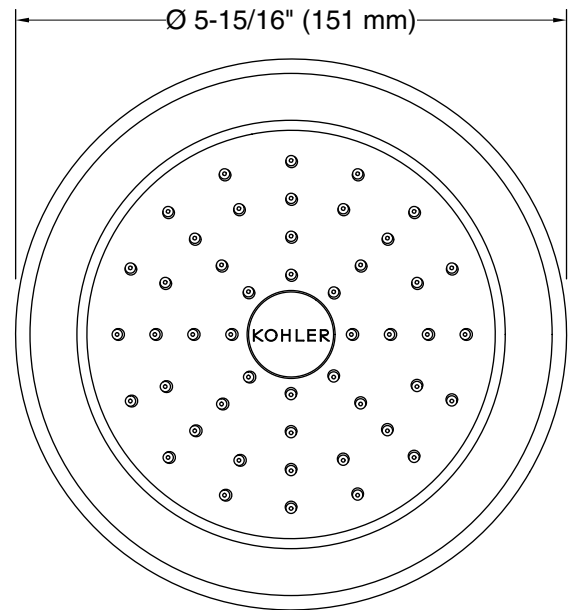
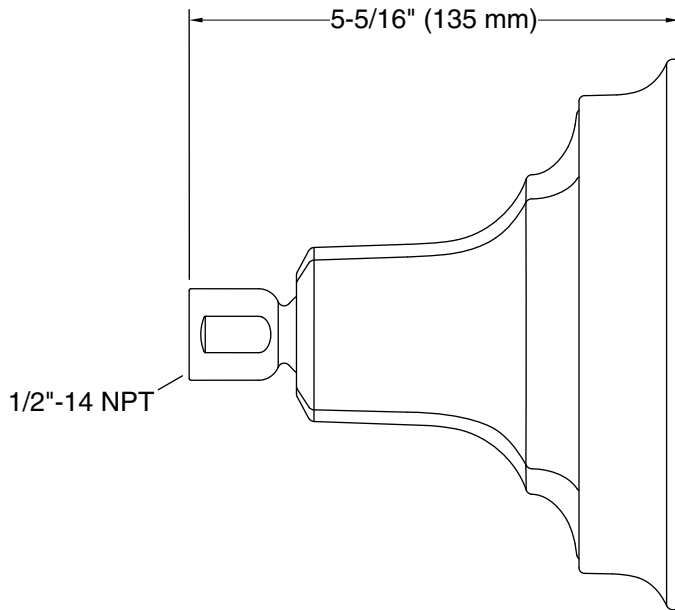
KOHLER® Faucet Lifetime Limited Warranty

See website for detailed warranty information.

Available Colors/Finishes

Color tiles intended for reference only.

Color	Code	Description
	CP	Polished Chrome
	SN	Vibrant® Polished Nickel
	AF	Vibrant® French Gold
	BN	Vibrant® Brushed Nickel
	BV	Vibrant® Brushed Bronze



Technical Information

All product dimensions are nominal.

Showerhead/Body Spray:

Rated maximum flow: 1.75 gal/min (6.6 l/min)

Pressure: 80 psi (5.5 bar)

Notes

For use with automatic compensating valves rated at 1.5 gal/min (5.7 l/min) or less.

Install this product according to the installation instructions.