



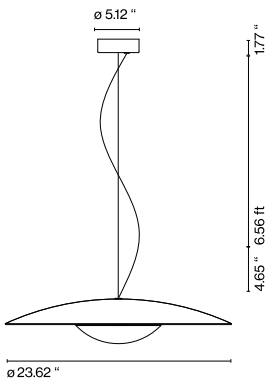
# LED-Ginger

## Joan Gaspar

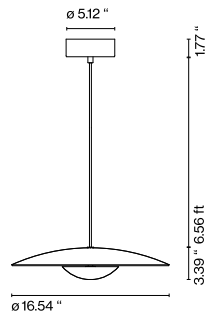
marset



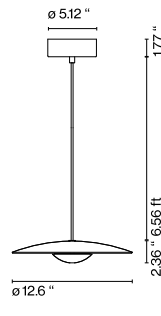
**LED-Ginger 60**



**LED-Ginger 42**



**LED-Ginger 32**



**LED-Ginger 60**

LED SMD 28W 700mA  
2700K CRI90  
Delivered Lumens 1165lm (included)  
120 V / 60 Hz

**LED-Ginger 42**

LED SMD 21W 700mA  
2700K CRI90  
Delivered Lumens 698lm (included)  
120 V / 60 Hz

**LED-Ginger 32**

LED SMD 14W 700mA  
2700K CRI90  
Delivered Lumens 350lm (included)  
120 V / 60 Hz

- Oak - White
- Wenge - White
- Brushed brass - White
- Brushed brass - White
- Brushed brass - White
- Black - White
- White - White

Black electrical cord

Pressed wood or brushed aluminum diffuser. Injected and lacquered black metal matte aluminum dissipater.



Dry locations only

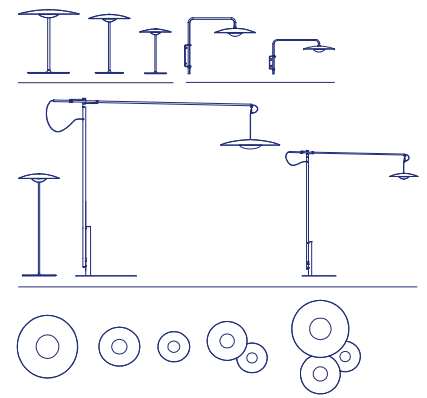
dimmable

LED-Ginger 42 / 32  
Triac phase control dimmer  
OR  
0-10 (120-277V)

LED-Ginger 60  
Dual dimming driver  
Triac 120VAC only / 0-10V 120-277VAC

- [Download](#) Assembly Instructions
- [Download](#) Photometric Data
- [Download](#) 2D
- [Download](#) 3D

**Range**



**Watch the video**  
marsetusa@marset.com  
www.marset.com

**⚠ WARNING.** California Proposition 65 Warning for California Consumers. This product can expose you to chemicals including wood dust and lead which are known to the State of California to cause cancer or birth defects or other reproductive harm. For more information go to [www.P65Warnings.ca.gov](http://www.P65Warnings.ca.gov)

Wood is a great ally of cozy lighting. It is a material that is hard to mold, a challenge that the LED-Ginger collection neatly resolves. The combination of sheets of wood and paper pressed together under high pressure achieves a laminate that appears almost entirely flat.