

Shade Installation Instructions

C10

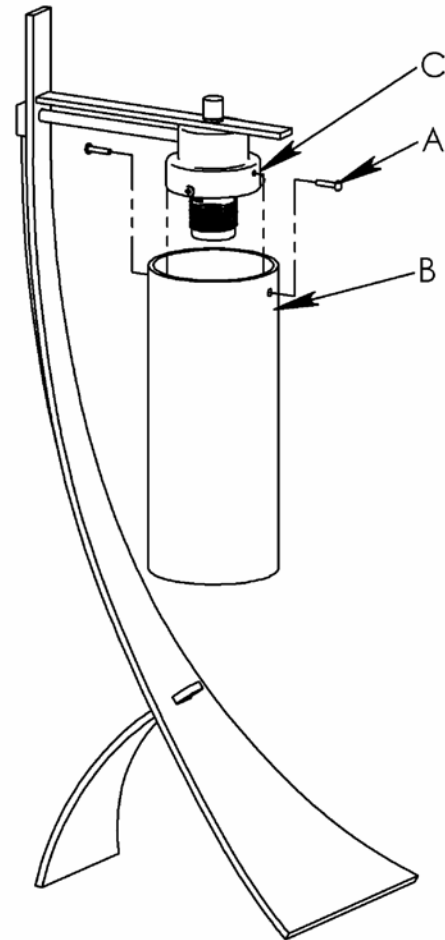
For fixtures requiring assembly, please refer to assembly instructions before glass installation.

Component Parts

- A** Screw (2)
- B** Glass
- C** Socket Cup

To Install Glass

1. Install Light Bulb
2. Slide Glass (B) up over light bulb and Socket Cup (C).
3. Secure Glass by threading Screws (A) into the sides of Socket Cup.



If you need further assistance, or find that you are missing any parts, please contact the dealer from which you purchased this product.

We hope you enjoy your fixture!