

# PRODUCT SPECIFICATIONS

## TLGU-37-SN/BLK



### Description

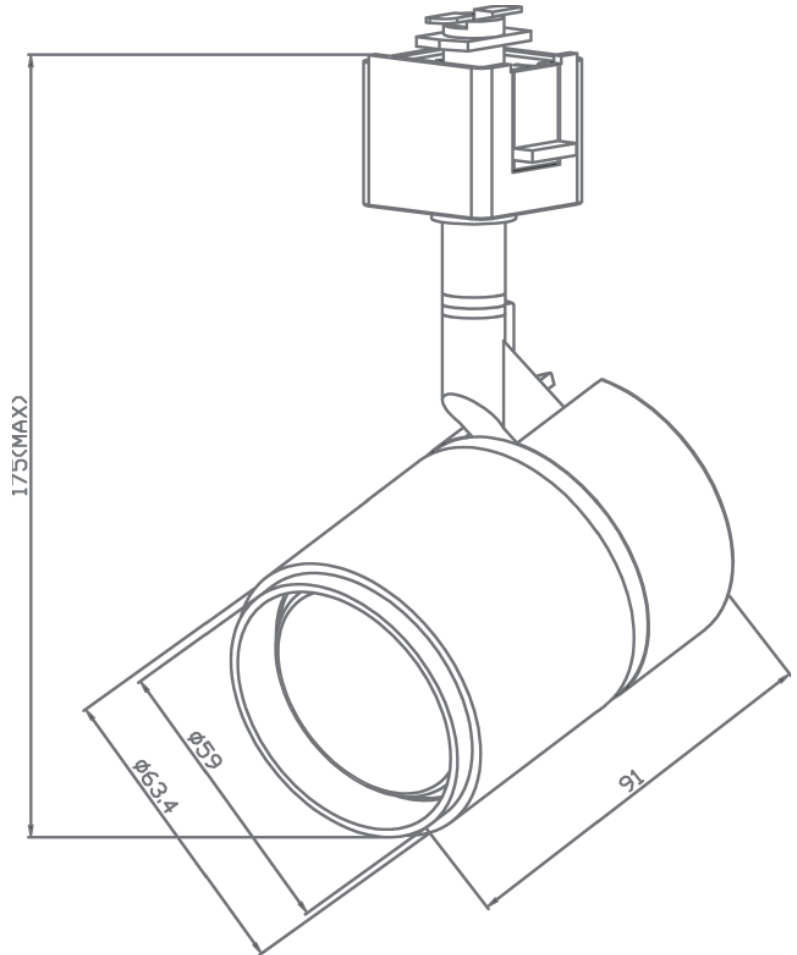
Line voltage track head cylinder for use with GU-10 base lamps.

- Satin Nickel finish with Black Ring and Baffle accents
- Directional light source providing 90° vertical aiming capability with 300° horizontal rotation
- Lamp: GU-10 120V/50W (max.)
- Dimmer compatible
- Ceramic 120V AC GU-10 base socket
- Lead wires concealed within stem
- Suction cup lamp removal aid included
- Overall height: 6.5"
- Head diameter: 2.5", Length: 3.5"
- LED compatible

**120V, 60Hz, 50W Maximum**



Conforms to UL Std. 1574  
 Certified to CSA Standard C22.2 No. 9.0



Project:	
Fixture Type:	
Location:	
Contact info:	

