

WAC LIGHTING

Sprig

Swing Arm 3000K

Fixture Type: _____

Catalog Number: _____

Project: _____

Location: _____

| Model & Size | Color Temp & CRI | Finish | Watt | LED Lumens | Delivered Lumens |
|--------------|------------------|---|------|------------|------------------|
| BL-23210 10" | 3000K 90 | BK Black BN Brushed Nickel WT White | 5W | 400 | 287 |

Example: **BL-23210-WT**

For custom requests please contact customs@wacighting.com

FEATURES

- On/off toggle switch on the canopy
- USB port on the bottom of the canopy for charging
- Arm offers 180 degree horizontal rotation
- Light source offers 300 degree horizontal rotation and a 180 degree vertical tilt
- Driver concealed within the canopy
- 5 Year warranty

SPECIFICATIONS

| | |
|---------------|---|
| Color Temp: | 3000K |
| Input: | 120 VAC,50/60Hz |
| CRI: | 90 |
| Dimming: | ELV: 100-10% ,TRIAC: 100-10% |
| Rated Life: | 50000 Hours |
| Standards: | ETL, cETL,Title 24 JA8-2019 Compliant Damp Location Listed |
| Construction: | Iron body, acrylic diffuser |

REPLACEMENT PARTS

HDW-LG22-WA - Hardware Pack

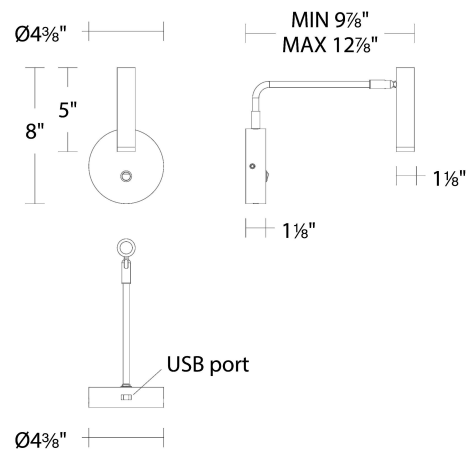


FINISHES:



White Brushed Nickel Black

LINE DRAWING:



BL-23210