

Features

- 60"L x 32"W x 15-1/2"H
- Constructed of KOHLER® Cast Iron
- 15" step-over threshold for easy entrance and exit
- Safeguard® slip-resistant surface
- Wide ledges for functional storage space - 4" front and 3" back

Required Products/Accessories

K-37383 30" Rough-in Cable Bath Drain

or

K-7116 Closing Overflow Cable Bath Drain

or

K-7259 Clearflo Bath Drain

Recommended Products/Accessories

K-952 Wall-mount Non-diverter Bath Spout

K-10044 Wall-mount Non-diverter Bath Spout

K-14426 35° Bath spout

K-14427 90° Bath spout

K-15137 Wall-mount Non-diverter Bath Spout

K-15138 Wall-mount Diverter Bath Spout

K-16246 Wall-mount Non-diverter Bath Spout

K-328 Wall-mount Bath Spout

K-330

K-1601 Bath/Whirlpool Footstop

K-37380 30" Rough-in Cable Bath Drain

K-702200-G54 Frameless Sliding Bath Door

K-702200-G73 Frameless Sliding Bath Door

K-702200-L Frameless Sliding Bath Door

K-702205-L Frameless Sliding Bath Door

K-706000-D3 Frameless Sliding Bath Door

K-706000-L Frameless Sliding Bath Door

K-706003-L Frameless Sliding Bath Door

K-706004-D3 Frameless Sliding Bath Door

K-706004-L Frameless Sliding Bath Door

K-706007-L Frameless Sliding Bath Door



ADA

Codes/Standards

ASME A112.19.1/CSA B45.2

ASTM F462

ADA

ICC/ANSI A117.1






KOHLER® Enameled Cast Iron Bath and Shower Base Lifetime Limited Warranty

See website for detailed warranty information.

Available Colors/Finishes

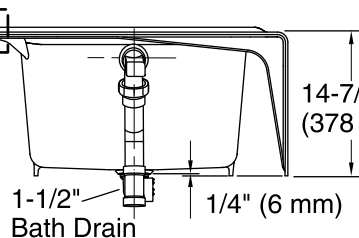
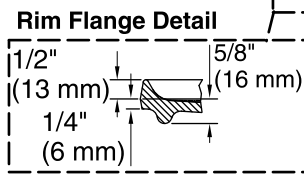
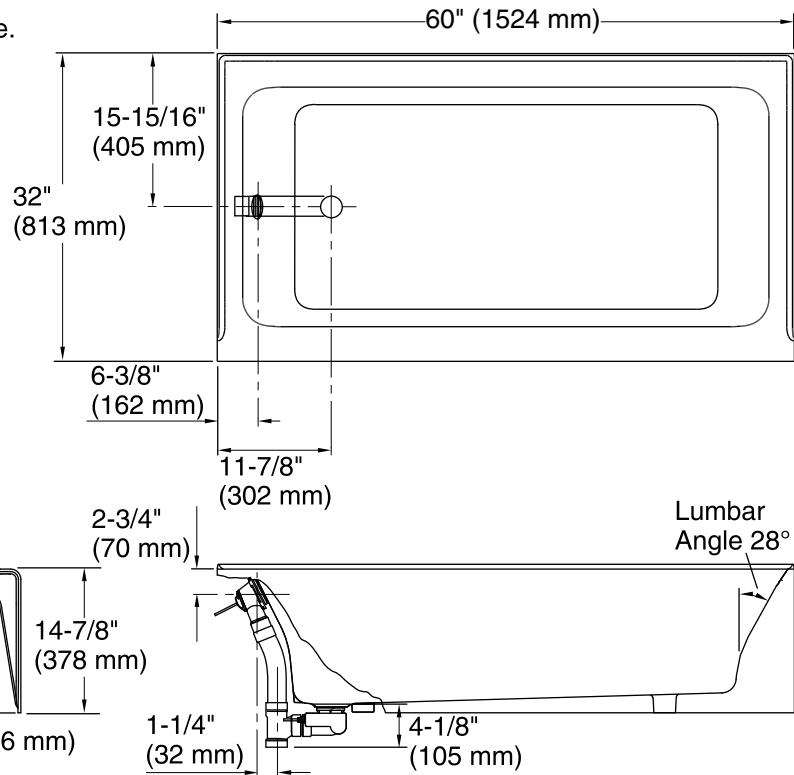
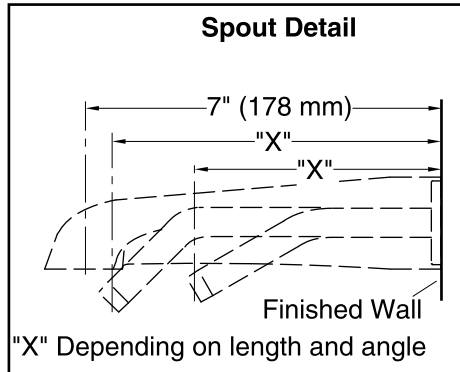
Color tiles intended for reference only.

Color	Code	Description
-------	------	-------------

	0	White
	96	Biscuit
	47	Almond
	NY	Dune
	G9	Sandbar

Note: To clear the bath rim end wall, a minimum 7" (178 mm) bath spout is recommended. Water flow from angled bath spouts less than 7" (178 mm) may also provide needed clearance.

No change in measurements if connected with drain illustrated. (K-37383)



Technical Information

All product dimensions are nominal.

- Installation: Three-wall alcove
- Drain location: Left
- Basin area, bottom: 43-7/8" x 21" (1114 mm x 533 mm)
- Basin area, top: 51-1/4" x 23-5/16" (1302 mm x 592 mm)
- Weight: 327 lbs (148.3 kg)
- Minimum floor load: 52 lbs/ft² (253.9 kg/m²)
- Water depth: 11-5/16" (287 mm)
- Water capacity: 44 gal (166.6 L)
- Minimum flat for door: 2-5/16" (59 mm)

Notes

- Measure your actual product for rough-in details. Install this product according to the installation instructions.
- The hot water supply should be 70% of the capacity of the bath or greater. Installations will vary.
- ADA compliant when installed to the specific requirements of these regulations.