

# Tolomeo micro table with inset pivot - Aluminum

## SPECIFICATIONS

TOL0094



### Design By

Michele De Lucchi  
Giancarlo Piretti

### Collection

Design



### Specifications

Lamp type	LED-T
Lamp	max 60W E12/G16.5
Lamp Included	No
Control type	On/Off (On Cord)
Input Voltage	120V
Power consumption	69 WW
Ballast	N/A

### Colors & Finishes

Aluminum

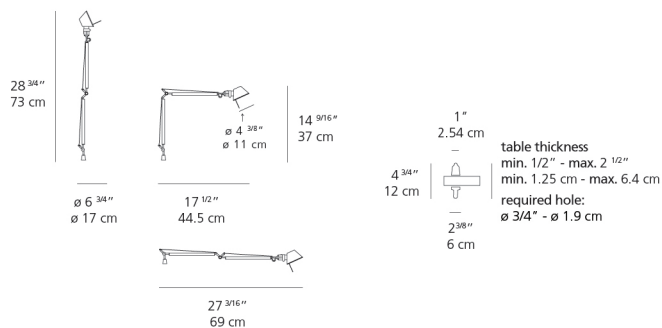
### Materials

- Arms and diffuser in aluminum
- Joints and tension control knobs in polished die-cast aluminum
- Tension cables in stainless steel
- Inset pivot in die-cast aluminum

### Features & Accessories

- Fully adjustable, articulated arm structure
- Tilttable and 360 degrees rotatable diffuser

### Dimensions



### Packaging

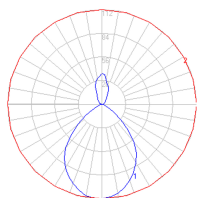
2 Boxes

1 x 8-3/4" x 8-3/4" x 19-13/16" / 2.51 lbs - 22 cm x 22 cm x 50 cm / 1.14 kg

1 x 5-3/16" x 5-3/16" x 3-5/8" / .44 lbs - 13 cm x 13 cm x 9 cm / .2 kg

### Light distribution

Direct



Red = Max Cd. Through Vertical plane

Blue = Max Cd. Through Horizontal plane

### Luminaire weight

1.26 lbs / .57 kg

### Warranty

5 year Limited warranty